



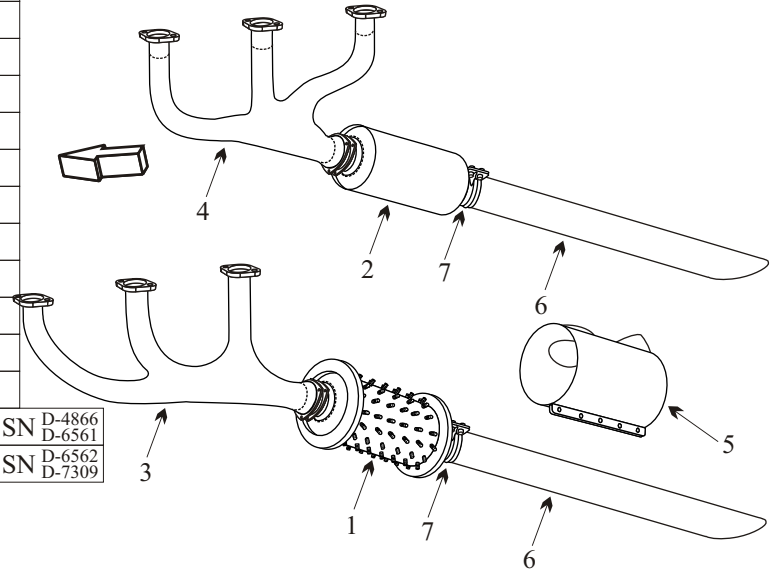
Exhaust Systems Engine Mounts Carb Air Boxes

Shrouds • Seats • Piston • Turbine • Radial • Vintage • And More...



BEECHCRAFT 33/A33/B33 SN CD-1-735
BEECHCRAFT 35 THRU 35G SN D1-4865
BEECHCRAFT 36 SN E-185-1, -8, -11 AND E-225-8
ALL WITH CONTINENTAL IO 470 J OR K ENGINES

Item	Part Number	Description
1	186-30	MUFFLER LEFT HAND
2	189	MUFFLER RIGHT HAND
3	35-950118	STACK LEFT HAND
4	35-950116	STACK RIGHT HAND
5	186-50	SHROUD
6	35-950133	TAILPIPE
7	186-8A	CLAMP TAILPIPE
-	627429	GASKET
-	204-250	SPRING KIT
-	J-7518-2	SHOCK MOUNTS
-	VARIOUS	SEAT BASE
-	35-910003-95	INDUCTION AIR BOX SN CD 1-300 CD 386-387 SN D-4866 D-6561
-	33-910011-1	INDUCTION AIR BOX SN CD 301 and on Except 386,387 SN D-6562 D-7309



- Inspect muffler for blisters or bulges under heat shroud.
- Inspect internal baffles for cracks and distortion.
- Inspect collector just before the ball joint for heat distortion and black flaking material.
- Inspect tailpipe for thinning and internal corrosion.

(toll free) 1-888-388-8803 1-780-447-5955 Fax: 1-780-447-5980
sales@acornwelding.com parts@acornwelding.com www.acornwelding.com