



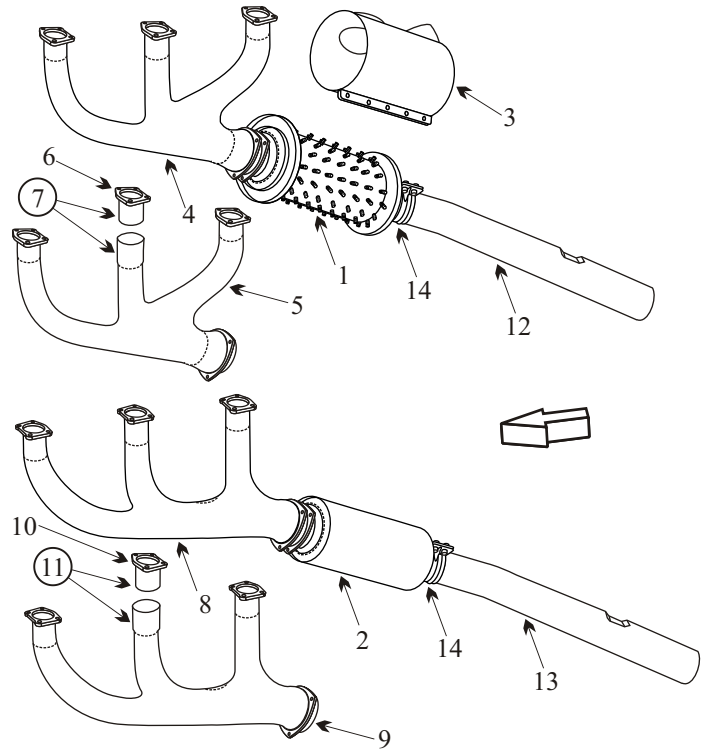
Exhaust Systems Engine Mounts Carb Air Boxes

Shrouds • Seats • Piston • Turbine • Radial • Vintage • And More...



BEECHCRAFT C33A/E33A/F33A SN CE-1 AND ON
C33 SN CD-1255-1304
S35/V35/V35A/V35B SN D-7310 AND ON
E33C/F33C SN CJ-1 AND ON
36/A36 SN E-1 AND ON

Item	Part Number	Description
1	701-19	MUFFLER RIGHT HAND (INCONEL CONE)
1	701-5	MUFFLER RIGHT HAND (STAINLESS STEEL CONE)
2	701-20/21	MUFFLER LEFT HAND (INCONEL CONE)
2	701-4	MUFFLER LEFT HAND (STAINLESS STEEL CONE)
3	701-50	SHROUD
-	35-910019-13	SHROUD
-	35-950004-71	SHROUD
4	35-950005-3	STACK RIGHT HAND (ONE PIECE)
5	35-950005-39	STACK RIGHT HAND (2 PC CENTER)
-	35-950005-29	STACK RIGHT HAND (W/EGT BOSS)
6	35-950005-63	SLIP JOINT, RH CENTER RISER
7	35-9016-1S	Right Hand Exhaust Stack Replacement Kit
8	35-950005-1	STACK LEFT HAND (ONE PIECE)
9	35-950005-37	STACK LEFT HAND (2 PC CENTER)
10	35-950005-57	SLIP JOINT, LH CENTER RISER
11	35-9016-3S	Left Hand Exhaust Stack Replacement Kit
12	35-950005-9	TAILPIPE RIGHT HAND STRAIGHT CUT
13	35-950005-11	TAILPIPE LEFT HAND STRAIGHT CUT
-	95-910019-25	HEAT SHIELD
14	35-950004-17	CLAMP HALF
-	628260	GASKET
-	215-250	SPRING KIT
-	VARIOUS	INDUCTION AIR BOX
-	VARIOUS	SEAT BASE
-	J-10520-1	SHOCK MOUNT



- Inspect muffler for blisters or bulges under heat shroud.
- Inspect internal baffles for cracks and distortion.
- Inspect collector just before the ball joint for heat distortion and black flaking material.
- Inspect tailpipe for thinning and internal corrosion.

(toll free) 1-888-388-8803 1-780-447-5955 Fax: 1-780-447-5980
 sales@acornwelding.com parts@acornwelding.com www.acornwelding.com