



Exhaust Systems Engine Mounts Carb Air Boxes

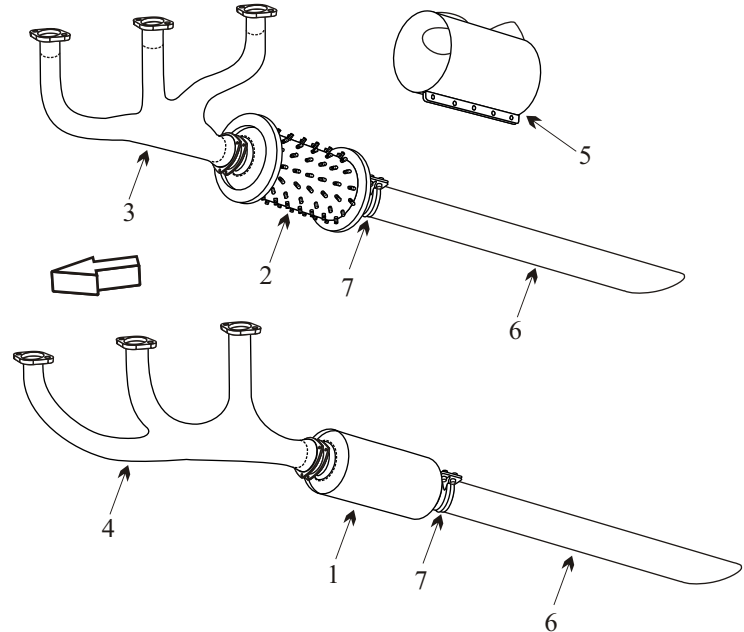
Shrouds • Seats • Piston • Turbine • Radial • Vintage • And More...



BEECHCRAFT B33 SN CD-736-813 WITH CONTINENTAL IO 470 K ENGINE

Item	Part Number	Description
1	189	MUFFLER LEFT HAND
2	186-30	MUFFLER RIGHT HAND
3	35-950116	STACK RIGHT HAND
4	35-950118	STACK LEFT HAND
5	186-55	SHROUD
6	35-950133	TAILPIPE
7	186-8A	CLAMP (HALF)
-	627429	GASKET
-	204-250	SPRING KIT
-	VARIOUS	SEAT BASE

- Inspect muffler for blisters or bulges under heat shroud.
- Inspect internal baffles for cracks and distortion.
- Inspect collector just before the ball joint for heat distortion and black flaking material.
- Inspect tailpipe for thinning and internal corrosion.



(toll free) 1-888-388-8803 1-780-447-5955 Fax: 1-780-447-5980
sales@acornwelding.com parts@acornwelding.com www.acornwelding.com