



Exhaust Systems Engine Mounts Carb Air Boxes

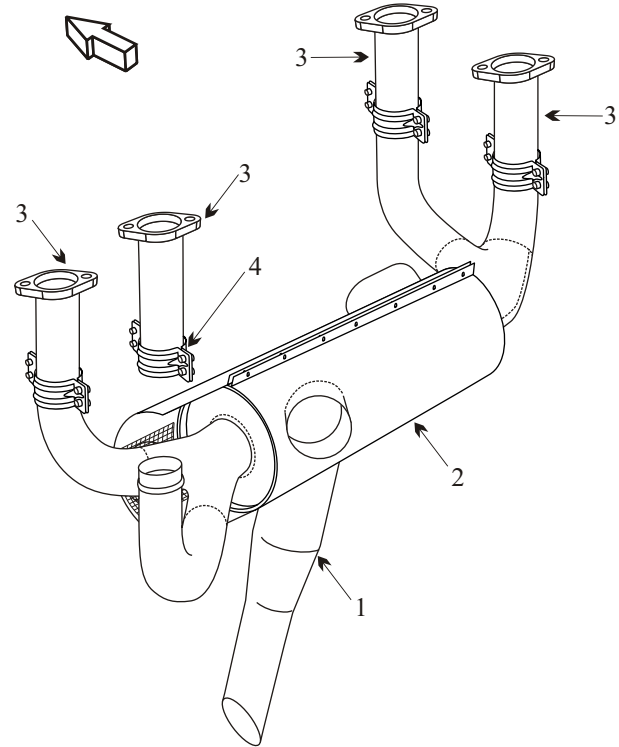
Shrouds • Seats • Piston • Turbine • Radial • Vintage • And More...



BEECHCRAFT B19 SPORT

WITH LYCOMING O-320 ENGINE SN MB481-MB922

Item	Part Number	Description
1 to 4	099001-019	EXHAUST ASSY
1	099001-126	MUFFLER
2	099001-124	SHROUD
3	099001-120	RISER STRAIGHT
4	099005-401	CLAMP HALF 1 3/4"
-	77611	GASKET
-	169-910027-111	CARB AIR BOX
-	169-910046-601	ENGINE MOUNT
-	169-910006-75	ENGINE MOUNT MODEL - B-19/23
-	J-7402-16	SHOCK MOUNT
-	VARIOUS	SEAT BASE



- Inner flame tubes must be attached for the muffler to be serviceable.
- Inspect muffler for blisters or bulges under heat shroud.

(toll free) 1-888-388-8803 1-780-447-5955 Fax: 1-780-447-5980
sales@acornwelding.com parts@acornwelding.com www.acornwelding.com