



Exhaust Systems Engine Mounts Carb Air Boxes

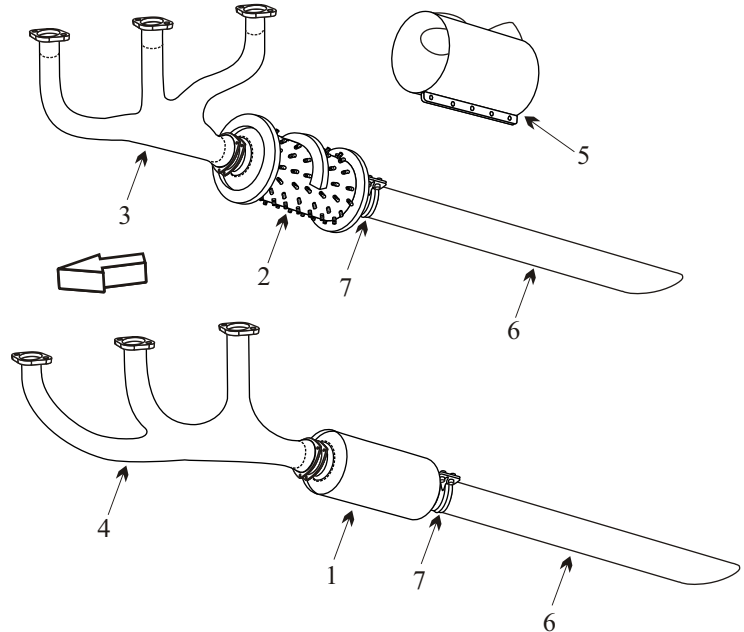
Shrouds • Seats • Piston • Turbine • Radial • Vintage • And More...



BEECHCRAFT C33/E33
WITH CONTINENTAL IO 470 K ENGINE

SN CD-814-1254

Item	Part Number	Description
1	189	MUFFLER LEFT HAND
2	180-30	MUFFLER RIGHT HAND 9" LONG
2	8003-16	MUFFLER RIGHT HAND C/W MI HALF RING
3	35-950116	STACK RIGHT HAND
4	35-950118	STACK LEFT HAND
5	701-50	SHROUD
6	35-950133	TAILPIPE
7	186-8A	CLAMP HALF
-	627429	GASKET
-	204-250	SPRING KIT
-	VARIOUS	SEAT BASE
-	33-910011-1	INDUCTION AIR BOX



- Inspect muffler for blisters or bulges under heat shroud.
- Inspect internal baffles for cracks and distortion.
- Inspect collector just before the ball joint for heat distortion and black flaking material.
- Inspect tailpipe for thinning and internal corrosion.

(toll free) 1-888-388-8803 1-780-447-5955 Fax: 1-780-447-5980
sales@acornwelding.com parts@acornwelding.com www.acornwelding.com