



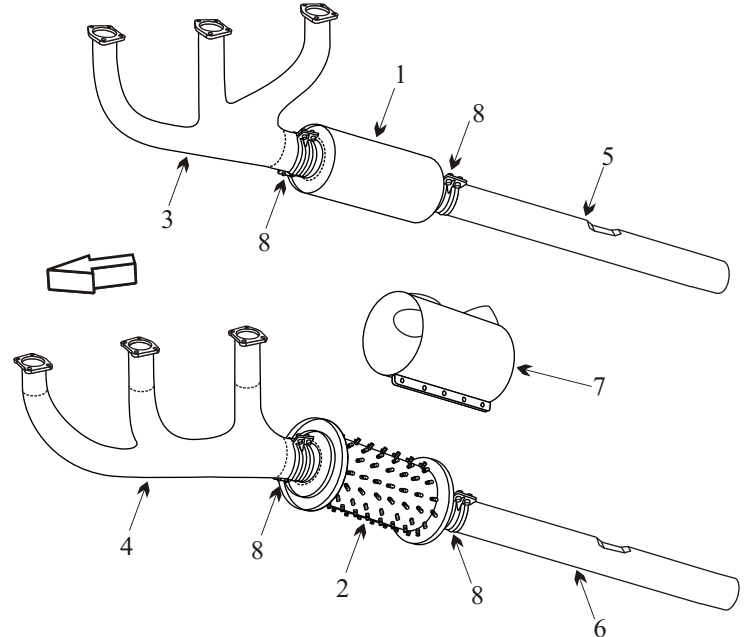
Exhaust Systems Engine Mounts Carb Air Boxes

Shrouds • Seats • Piston • Turbine • Radial • Vintage • And More...



BEECHCRAFT H-P 35 SN D-4866 TO D-7108
ALL WITH CONTINENTAL O-470 ENGINE OR IO-470 ENGINE

Item	Part Number	Description
1	492-27	MUFFLER RIGHT HAND
2	492-43	MUFFLER LEFT HAND
3	35-950004-13	STACK RIGHT HAND
4	35-950004-5	STACK LEFT HAND
-	35-950004-79	STACK 2 PIECE RIGHT HAND
-	35-950004-73	STACK 2 PIECE LEFT HAND
5	35-950004-9	TAILPIPE RIGHT HAND
6	35-950004-7	TAILPIPE LEFT HAND
7	492-42	SHROUD
8	35-950004-17	CLAMP HALF
-	95-910019-15	HEAT SHIELD SN D-5433 D-7309
-	628260	GASKET
-	35-910003-95	INDUCTION AIR BOX SN D-4866 D-6561
-	33-910011-1	INDUCTION AIR BOX SN D-6562 D-7309
-	VARIOUS	SEAT BASE ASSY
-	J-7518-1	SHOCK MOUNT SN D-4866 D-5330
-	J-7518-2	SHOCK MOUNT SN D-5331 D-7309



- Inspect muffler for blisters or bulges under heat shroud.
- Inspect internal baffles for cracks and distortion.
- Inspect tailpipe for thinning and internal corrosion.

(toll free) 1-888-388-8803 1-780-447-5955 Fax: 1-780-447-5980
 sales@acornwelding.com parts@acornwelding.com www.acornwelding.com