



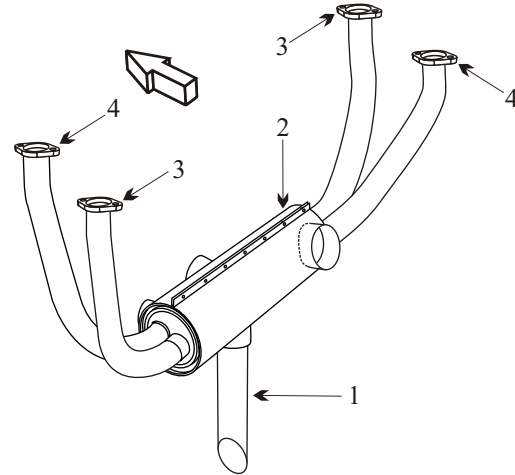
Exhaust Systems Engine Mounts Carb Air Boxes

Shrouds • Seats • Piston • Turbine • Radial • Vintage • And More...



BEECHCRAFT MUSKETEER 23 SN M555-M1094 WITH CONTINENTAL 10-346 ENGINE.

Item	Part Number	Description
1	169-950012-45	MUFFLER 1 1/2" INLETS
2	169-950012-41	SHROUD
3	169-950013-9	RISER LEFT REAR & RIGHT FRONT
4	169-950013-13	RISER LEFT FRONT & RIGHT REAR
-	77611	GASKET
-	169-910041-21	CARB AIR BOX
-	169-910007-601	ENGINE MOUNT
-	J-10778-4	SHOCK MOUNT
-	VARIOUS	SEAT BASE



- Riser slip joints into muffler should move freely to avoid stress on muffler end plates and to allow for service and inspection. The riser stack ends tend to flare out and seize inside muffler preventing removal of the risers. It would be wise to check if the stacks can be removed before ordering just the muffler.

- Inner flame tubes must be attached for the muffler to be serviceable.

(toll free) 1-888-388-8803 1-780-447-5955 Fax: 1-780-447-5980
 sales@acornwelding.com parts@acornwelding.com www.acornwelding.com