



# Exhaust Systems Engine Mounts Carb Air Boxes

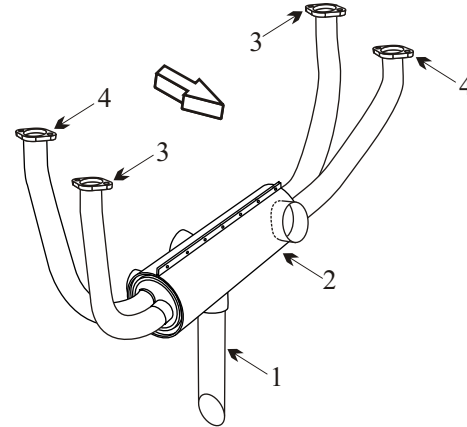
Shrouds • Seats • Piston • Turbine • Radial • Vintage • And More...



## BEECHCRAFT MUSKETEER 24

WITH LYCOMING 10-360 ENGINE SN MA 1 - MA 368

Item	Part Number	Description
1	169-950014-49	MUFFLER, 1 5/8" INLETS
2	169-950012-41	SHROUD
3	169-950015-11	RISER RIGHT FRONT & LEFT REAR
4	169-950015-13	RISER RIGHT REAR & LEFT FRONT
-	77611	GASKET
-	169-910045-1	INDUCTION AIR BOX SN MA-1 MA-363
-	169-910066-1	INDUCTION AIR BOX SN MA-364 MA-368
-	169-910044-651	ENGINE MOUNT
-	J-10778-14	SHOCK MOUNT 2 REQ
-	J-10778-16	SHOCK MOUNT 2 REQ
-	VARIOUS	SEAT BASE



- Inner flame tubes must be attached for the muffler to be serviceable.
- Inspect muffler for blisters or bulges under heat shroud.

- Riser slip joints into muffler should move freely to avoid stress on muffler end plates and to allow for service and inspection. The riser stack ends tend to flare out and seize inside muffler preventing removal of the risers. One should check if the stacks can be removed before ordering just the muffler.

(toll free) 1-888-388-8803 1-780-447-5955 Fax: 1-780-447-5980  
sales@acornwelding.com parts@acornwelding.com www.acornwelding.com