



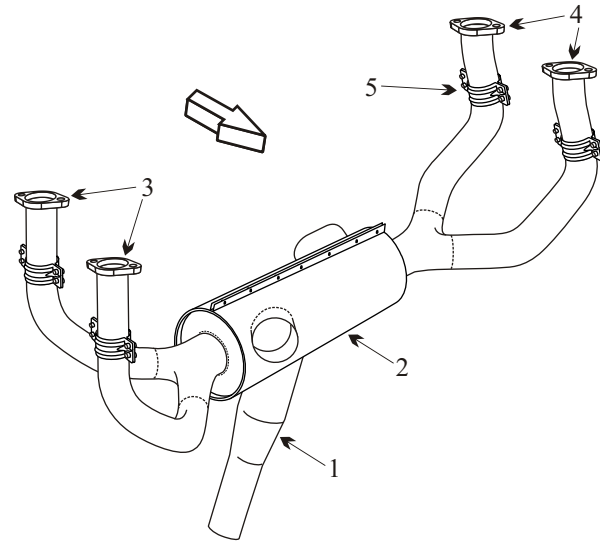
Exhaust Systems Engine Mounts Carb Air Boxes

Shrouds • Seats • Piston • Turbine • Radial • Vintage • And More...



BEECHCRAFT 24R SIERRA MC 2 - MC 795 MUSKETEER MA 341 - MA 368 EXCEPT 344 WITH LYCOMING IO-360 ENGINE

Item	Part Number	Description
1	099001-131	MUFFLER
2	099001-138	SHROUD
3	099001-120	RISER STRAIGHT
4	099001-132	RISER CURVED
5	099005-401	CLAMP HALF RISER STACKS
-	77611	GASKET
-	VARIOUS	INDUCTION AIR BOX
-	169-910051-67/601	ENGINE MOUNT SN MC-96 MC-795
-	169-910051-650	ENGINE MOUNT SN MC-2 MC-95
-	J-10778-14	SHOCK MOUNT 2 REQ
-	J-10778-16	SHOCK MOUNT 2 REQ
-	VARIOUS	SEAT BASE



- Inner flame tubes must be attached for the muffler to be serviceable.
- Inspect muffler for blisters or bulges under heat shroud.

(toll free) 1-888-388-8803 1-780-447-5955 Fax: 1-780-447-5980
sales@acornwelding.com parts@acornwelding.com www.acornwelding.com