



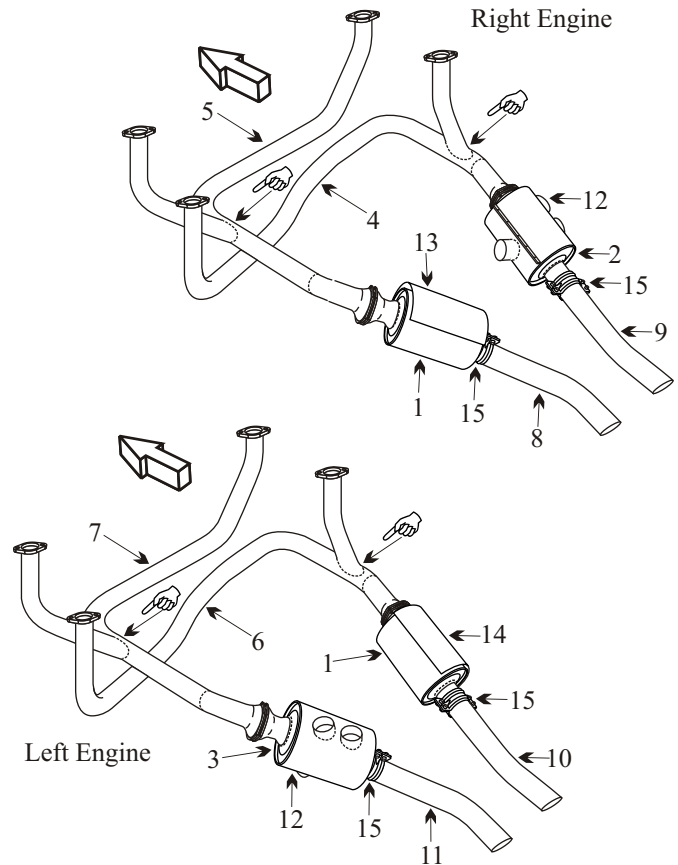
Exhaust Systems Engine Mounts Carb Air Boxes

Shrouds • Seats • Piston • Turbine • Radial • Vintage • And More...



BEECHCRAFT 95 SN TD-1 TO TD-452 WITH LYCOMING O360 ENG

Item	Part Number	Description
1	189	MUFFLER INBOARD
2	538-1	HEATER MUFFLER RIGHT ENGINE OB
3	538-2	HEATER MUFFLER LEFT ENGINE OB
4	95-910001-59	STACK ASSY RIGHT HAND OB
5	95-910001-171	STACK ASSY RIGHT HAND IB
6	95-910001-35	STACK ASSY LEFT HAND IB
7	95-910001-169	STACK ASSY LEFT HAND OB
8	95-910001-109	RE INBOARD EXHAUST TAILPIPE
9	95-910001-139	RE OUTBOARD EXHAUST TAILPIPE
10	95-910001-15	LE INBOARD EXHAUST TAILPIPE
11	95-910001-5	LE OUTBOARD EXHAUST TAILPIPE
12	538-15	SHROUD
13	95-910019-9	HEAT SHIELD RIGHT ENGINE
15	95-910019-1	HEAT SHIELD LEFT ENGINE
16	186-8A	CLAMP
-	77611	GASKET
-	208-250	SPRING KIT
-	95-999112-15	CARB AIR BOX RIGHT HAND
-	95-999114-17	CARB AIR BOX LEFT HAND
-	95-910005	ENGINE MOUNT
-	J7402-1	SHOCK MOUNT
-	95-440014-57	STEP ASSY RIGHT HAND
-	95-440014-58	STEP ASSY LEFT HAND



● This muffler requires flame cones which are still attached to be serviceable.

● Inspect muffler for blisters or bulges under heat shroud.

☞ This part has a hot area at the elbow, inspect this area for black flaking metal and bulges.

(toll free) 1-888-388-8803 1-780-447-5955 Fax: 1-780-447-5980
 sales@acornwelding.com parts@acornwelding.com www.acornwelding.com