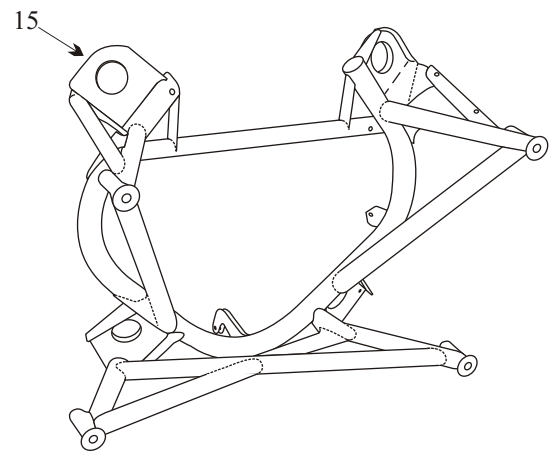
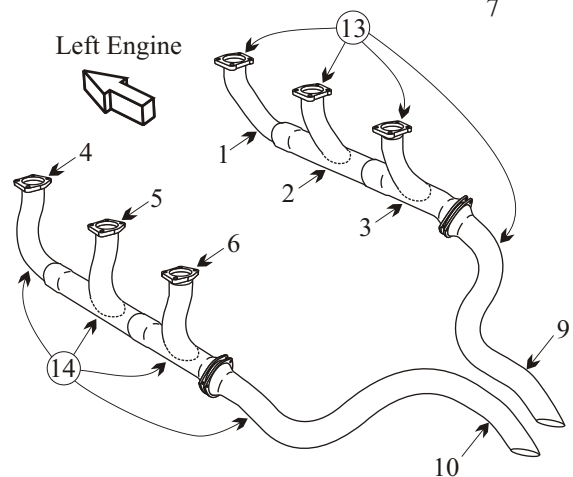
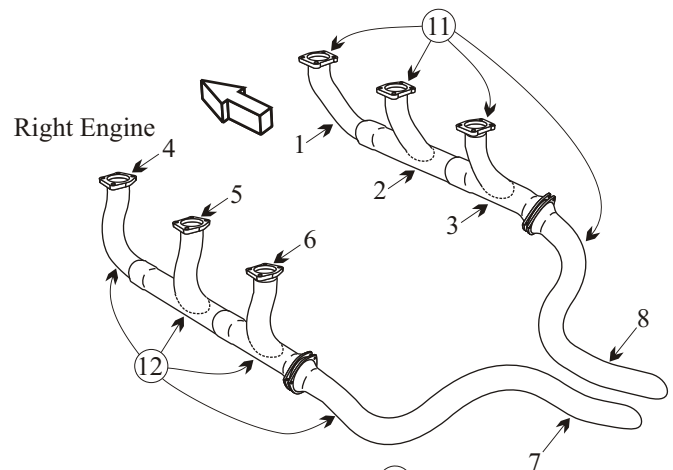


BEECHCRAFT BARON 55/58 WITH 2" REMOVABLE TAILPIPE

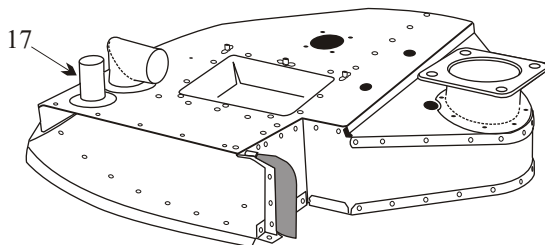
SN C2438-C2443-9999 SN E1199-E9999 SN H1329 SN H1336-H9999

Item	Part Number	Description	Code
1	96-950004-35/117	STACK RIGHT HAND FWD CYL #5	
1	96-950004-161	STACK RIGHT HAND FWD CYL #5	C
2	96-950004-31/119	STACK RIGHT HAND CTR CYL #3	
2	96-950004-157	STACK RIGHT HAND CTR CYL #3	C
3	96-950004-27	STACK RIGHT HAND AFT CYL #1	
3	96-950004-121/131	STACK RIGHT HAND AFT CYL #1	D
3	96-950004-153	STACK RIGHT HAND AFT CYL #1	C
4	96-950004-33/111	STACK LEFT HAND FWD CYL #6	
4	96-950004-159	STACK LEFT HAND FWD CYL #6	C
5	96-950004-29/113	STACK LEFT HAND CTR CYL #4	
5	96-950004-155	STACK LEFT HAND CTR CYL #4	C
6	96-950004-25	STACK LEFT HAND AFT CYL #2	
6	96-950004-115/129	STACK LEFT HAND AFT CYL #2	D
6	96-950004-151	STACK LEFT HAND AFT CYL #2	C
7	96-950004-59	TAILPIPE RIGHT ENGINE INBOARD	
8	96-950004-61	TAILPIPE RIGHT ENGINE OUTBOARD	
9	96-950004-55	TAILPIPE LEFT ENGINE INBOARD	
10	96-950004-57	TAILPIPE LEFT ENGINE OUTBOARD	
11	96-950004-15/109	EXHAUST ASSY RIGHT ENGINE OB	
11	96-950004-147	EXHAUST ASSY RIGHT ENGINE OB	C
12	96-950004-13/107	EXHAUST ASSY RIGHT ENGINE IB	
12	96-950004-145	EXHAUST ASSY RIGHT ENGINE IB	C
13	96-950004-11/105	EXHAUST ASSY LEFT ENGINE IB	
13	96-950004-143	EXHAUST ASSY LEFT ENGINE IB	C
14	96-950004-9/103	EXHAUST ASSY LEFT ENGINE OB	
14	96-950004-141	EXHAUST ASSY LEFT ENGINE OB	C
15	96-910010-85	ENGINE MOUNT	
16	96-950004-53	TAILPIPE RETAINER FLANGE	
17	96-910010-609	INDUCTION AIR BOX LEFT HAND	A
-	96-910010-615	INDUCTION AIR BOX RIGHT HAND	A
-	96-910010-85	INDUCTION AIR BOX LEFT HAND	B
-	96-910010-85	INDUCTION AIR BOX RIGHT HAND	B



Usable On Codes

- A: Aircraft with Generator
- B: Aircraft with Alternator
- C: SN H2125 to H9999
- D: SN H1554 to H2124



- Inspect joints for freedom of movement and distortion.
- Inspect tailpipe for thinning and internal corrosion.
- Slip fit stacks should be ordered as a complete assembly to ensure good joint integrity with smooth slip fits.

AD 91-15-20

Beech C55/D55/E55

Applies to S/N TC350 and S/N's TE-1 thru TE-1201

Beech 58/58A

Applies to S/N's TH-1 thru TH-1610.

Inspect engine mount for cracks.

Inspection required every 100 hrs of operation till mount repaired with Beech Kit 58-9007-1S or replaced with P/N 96-910010-67 or P/N 96-910010-85.