



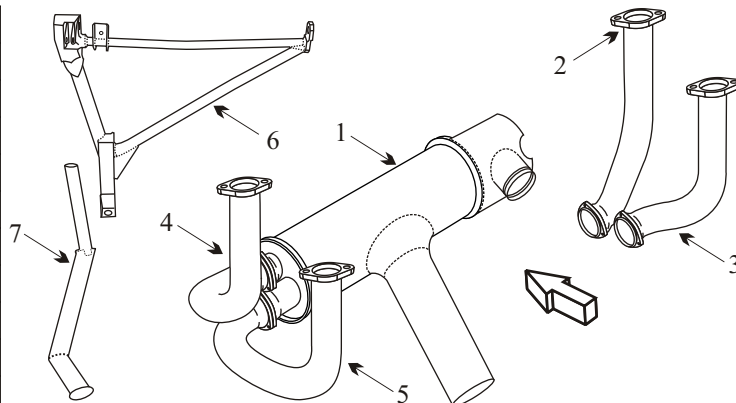
# Exhaust Systems Engine Mounts Carb Air Boxes

Shrouds • Seats • Piston • Turbine • Radial • Vintage • And More...



## BEECHCRAFT DUCHESS 76

Item	Part Number	Description
1	8295-205	MUFFLER
2	8295-101	RISER RIGHT HAND FWD CYL #1
3	8295-103	RISER RIGHT HAND AFT CYL #3
4	8295-102	RISER LEFT HAND FWD CYL #2
5	8295-104	RISER LEFT HAND AFT CYL #4
6	105-810023-75	A FRAME LEFT HAND
-	105-810023-76	A FRAME RIGHT HAND
-	169-400005-911	CABIN ENTRY STEP LEFT HAND
7	169-400005-912	CABIN ENTRY STEP RIGHT HAND
-	77611	GASKET
-	209-250	SPRING KIT
-	169-910049-61	CARB AIR BOX LEFT HAND ENGINE
-	169-910049-63	CARB AIR BOX RIGHT HAND ENGINE
-	105-910010-79	ENGINE MOUNT
-	105-910019-1	ENGINE MOUNT
-	J-9613-49	SHOCK MOUNT 2 REQ
-	J-9613-50	SHOCK MOUNT 2 REQ
-	VARIOUS	SEAT BASE ASSY



### AD 80-19-12 R1

Applies to S/N's ME-1 thru ME-415.  
Inspect lower engine mount tubes with dye Penetrant and repair if cracks found.  
Inspections required every 100 hrs of operation till mount replaced with P/N 105-910019-1.

### AD 97-06-10

Applies to A-Frame part numbers 105-810023-67/68.  
100 Hour repetitive inspection for cracks unless replaced with -75/76. Acorn Can also upgrade -75/76 to create a even stronger part. We recommend that -75/76 also be inspected at a 200 hour interval.

(toll free) 1-888-388-8803 1-780-447-5955 Fax: 1-780-447-5980  
sales@acornwelding.com parts@acornwelding.com www.acornwelding.com