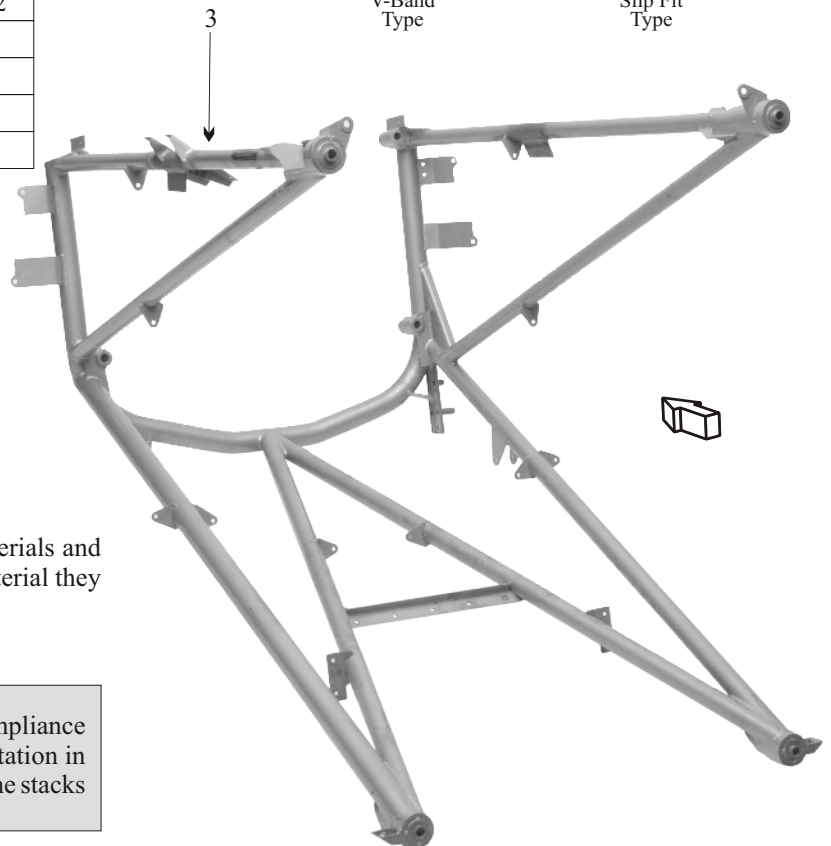
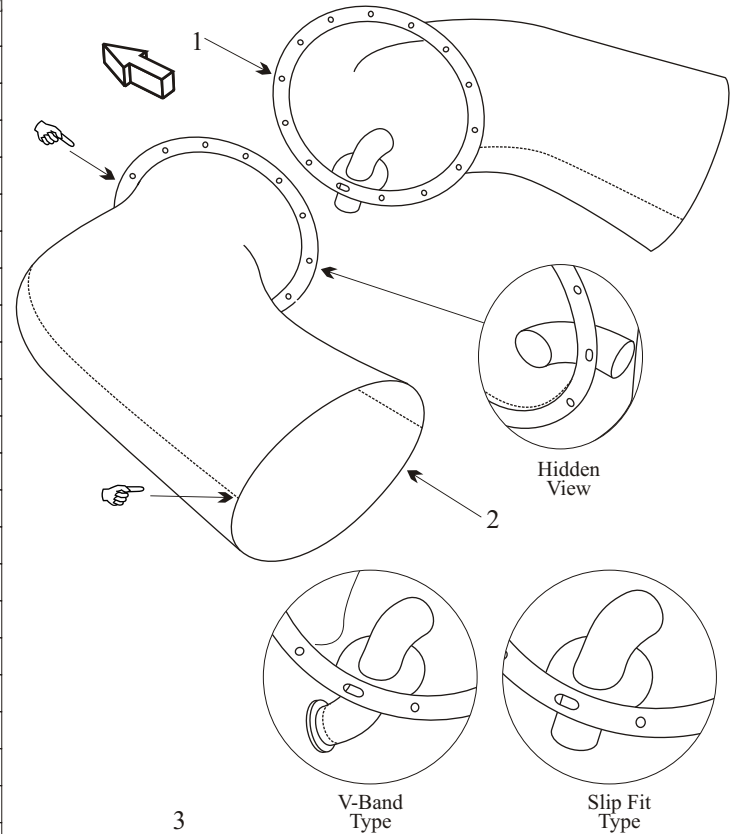


**BEECHCRAFT KING AIR 200/T/C/C**  
 WITH P&W PT6A-41 ENGINE  
**BEECHCRAFT KING AIR B200/T/C/CT**  
 WITH P&W PT6A-42 ENGINE  
**BEECHCRAFT KING AIR B200GT/CGT**  
 WITH P&W PT6A-52 ENGINE

Item	Part Number	Description	Code
-	101-950016-73	LEFT HAND EXHAUST STACK	
-	101-950016-75	RIGHT HAND EXHAUST STACK	
-	101-950016-81	LEFT HAND EXHAUST STACK	
-	101-950016-83	RIGHT HAND EXHAUST STACK	
-	101-950016-97	RIGHT HAND EXHAUST STACK	
-	101-950016-99	LEFT HAND EXHAUST STACK	
1	101-950018-13	RIGHT HAND EXHAUST STACK	
1	101-950018-15	RIGHT HAND EXHAUST STACK	
1	101-950019-3	RIGHT HAND EXHAUST STACK	A
1	101-950019-49	RIGHT HAND EXHAUST STACK	
2	101-950018-21	LEFT HAND EXHAUST STACK	
2	101-950018-23	LEFT HAND EXHAUST STACK	
2	101-950019-1	LEFT HAND EXHAUST STACK	A
2	101-950019-47	LEFT HAND EXHAUST STACK	
-	101-950022-1	LEFT HAND EXHAUST STACK	A
-	101-950022-3	RIGHT HAND EXHAUST STACK	A
-	101-950023-1	LEFT HAND EXHAUST STACK	A
-	101-950023-3	RIGHT HAND EXHAUST STACK	A
-	130-950001-39	LEFT HAND EXHAUST STACK	
-	130-950001-41	RIGHT HAND EXHAUST STACK	
-	101-9085-1	EXHAUST SPARES KIT LH SB2372	
-	101-9085-3	EXHAUST SPARES KIT RH SB2372	
-	101-9085-5	EXHAUST SPARES KIT ENGINE	
-	101-910204-11	EXHAUST ADAPTER ELBOW	
MS	101-9048-21	EXHAUST FLEX HOSE	
-	N3303S1-150	EXHAUST STACK V-BAND CLAMP	
-	VARIOUS	SEAT BASE	
3	101-910012-141	ENGINE MOUNT	
-	101-910012-155	ENGINE MOUNT	
-	101-910122-51	ENGINE MOUNT	
-	109-910049-1	HOT INTAKE LIP	
-	109-910049-33	HOT INTAKE LIP	
-	101-910016-41	HOT INTAKE LIP	
-	101-910016-51	HOT INTAKE LIP	
-	101-910016-651	HOT INTAKE LIP	



● These stacks are manufactured with several different materials and thicknesses. Be sure your repair station knows which material they are working on.

☞ Inspect for cracks in this area.

**Usable On Codes**

A: Acorn Welding has approval by alternate means of compliance to repair the stacks shown beyond Beechcraft 3" crack limitation in the MM. This repair will add strength to the weak areas and the stacks should last longer.