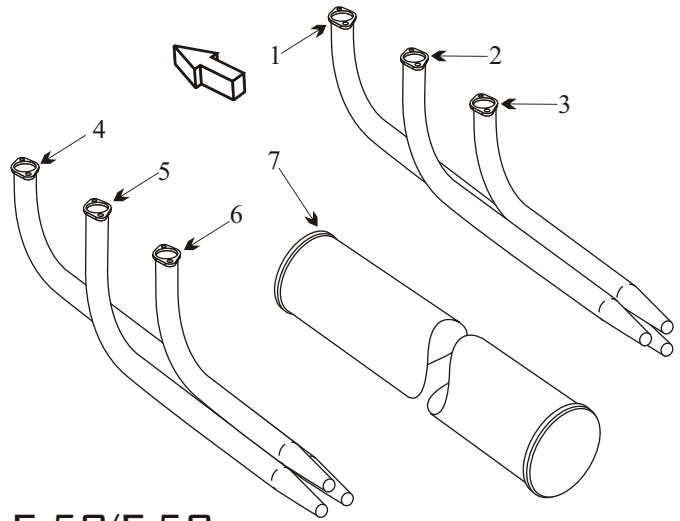


BEECHCRAFT TWIN BONANZA 50

B-50

Item	Part Number	Description
1	50-950031	STACK RIGHT HAND FRONT CYL #1
2	50-950033	STACK RIGHT HAND CENTER CYL #3
3	50-950035	STACK RIGHT HAND REAR CYL #5
4	50-950032	STACK LEFT HAND FRONT CYL #2
5	50-950034	STACK LEFT HAND CENTER CYL #4
6	50-950036	STACK LEFT HAND REAR CYL #6
7	50-950012-14	DUCT ASSY AUGMENTOR
-	77611	GASKET
-	50-910038	CARB AIR BOX ASSY



C-50/D-50

Item	Part Number	Description
1	50-950031-7	STACK RIGHT HAND FRONT CYL #1
2	50-950033-9	STACK RIGHT HAND CENTER CYL #3
3	50-950035-7	STACK RIGHT HAND REAR CYL #5
4	50-950032-5	STACK LEFT HAND FRONT CYL #2
5	50-950034-3	STACK LEFT HAND CENTER CYL #4
6	50-950036-7	STACK LEFT HAND REAR CYL #6
7	50-950045	AUGMENTOR LEFT HAND
-	50-950045-19	AUGMENTOR RIGHT HAND
-	77611	GASKET
-	50-910203-1	CARB AIR BOX ASSY

E-50/F-50

Item	Part Number	Description
1	50-950064-103	STACK RIGHT HAND FRONT CYL #1
2	50-950064-107	STACK RIGHT HAND CENTER CYL #3
3	50-950064-111	STACK RIGHT HAND REAR CYL #5
4	50-950064-91	STACK LEFT HAND FRONT CYL #2
5	50-950064-95	STACK LEFT HAND CENTER CYL #4
6	50-950064-99	STACK LEFT HAND REAR CYL #6
7	50-950058	AUGMENTOR
-	77611	GASKET

D-50A/D-50B/D-50C/D-50E

Item	Part Number	Description
1	50-950065-23	STACK RIGHT HAND FRONT CYL #1
2	50-950065-29	STACK RIGHT HAND CENTER CYL #3
3	50-950065-35	STACK RIGHT HAND REAR CYL #5
4	50-950065-5	STACK LEFT HAND FRONT CYL #2
5	50-950065-11	STACK LEFT HAND CENTER CYL #4
6	50-950065-17	STACK LEFT HAND REAR CYL #6
7	50-950045	AUGMENTOR LEFT HAND
-	50-950045-19	AUGMENTOR RIGHT HAND
-	77611	GASKET
-	50-910203-1	CARB AIR BOX ASSY

G-50/H-50/J-50

Item	Part Number	Description
1	50-950064-131	STACK RIGHT HAND FRONT CYL #1
2	50-950064-135	STACK RIGHT HAND CENTER CYL #3
3	50-950064-139	STACK RIGHT HAND REAR CYL #5
4	50-950064-119	STACK LEFT HAND FRONT CYL #2
5	50-950064-123	STACK LEFT HAND CENTER CYL #4
6	50-950064-127	STACK LEFT HAND REAR CYL #6
7	50-950058-19	AUGMENTOR
-	77611	GASKET

- Inspect stacks for pitting and thin wall thickness.
- Inspect the flanges for cracks at the weld joints.