



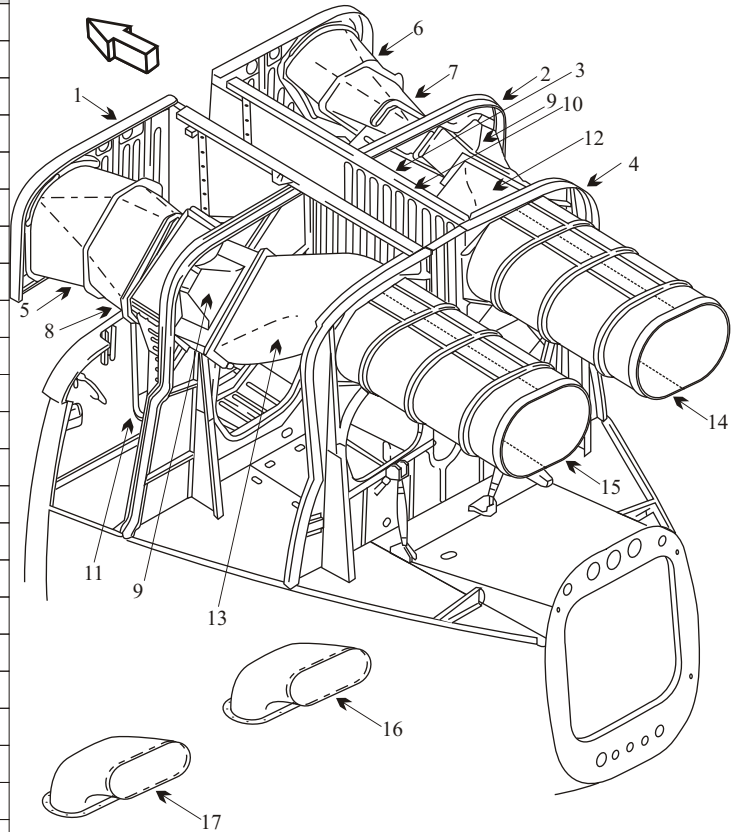
Exhaust Systems Engine Mounts Carb Air Boxes

Shrouds • Seats • Piston • Turbine • Radial • Vintage • And More...



BELL HELICOPTER 212/412

Item	Part Number	Description
1	212-060-900-299	FIREWALL ASSY FWD
2	212-060-901-237	FIREWALL ASSY MID
3	212-061-903-175	FIREWALL ASSY CTR
4	212-061-902-233	FIREWALL ASSY AFT
5	212-061-210-001	DUCT ASSY FWD LEFT HAND
6	212-061-210-002	DUCT ASSY FWD RIGHT HAND
7	212-061-210-004	DUCT ASSY FWD RIGHT HAND
8	212-061-210-003	DUCT ASSY FWD LEFT HAND
9	212-061-203-001	VALVE ASSY
10	212-061-207-295	BAFFLE ASSY INDUCTION RIGHT HAND
11	212-061-207-293	BAFFLE ASSY INDUCTION LEFT HAND
12	212-060-204-002	DUCT ASSY RIGHT HAND
13	212-060-204-001	DUCT ASSY LEFT HAND
14	212-061-216-102	EJECTOR RIGHT HAND
15	212-061-216-101	EJECTOR LEFT HAND
16	212-061-202-008	DUCT EXHAUST RIGHT HAND
17	212-061-202-007	DUCT EXHAUST LEFT HAND
-	212-061-902-007	STIFFENER ASSY LEFT HAND
-	212-061-902-008	STIFFENER ASSY RIGHT HAND
-	212-061-902-009	STIFFENER ASSY LEFT HAND
-	212-061-902-010	STIFFENER ASSY RIGHT HAND
-	212-061-902-113	SEAL ASSY LEFT HAND
-	212-061-902-114	SEAL ASSY RIGHT HAND



● Inspect for cracks at flange bolt holes and edge of weld. The maintenance manual has various repair limitations on this part.

(toll free) 1-888-388-8803 1-780-447-5955 Fax: 1-780-447-5980
 sales@acornwelding.com parts@acornwelding.com www.acornwelding.com