



Exhaust Systems Engine Mounts Carb Air Boxes

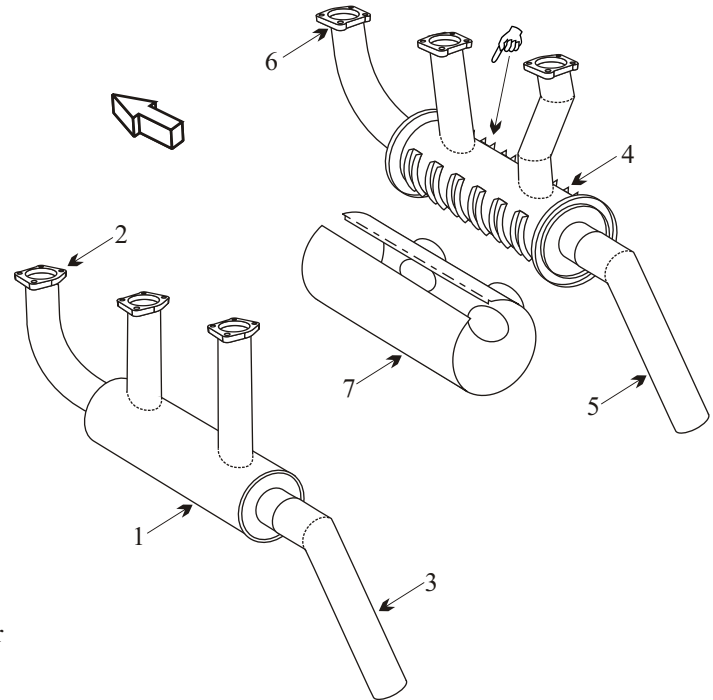
Shrouds • Seats • Piston • Turbine • Radial • Vintage • And More...



BELLANCA 17-30 VIKING

WITH CONTINENTAL IO 520 ENGINE

Item	Part Number	Description
1	191421	MUFFLER LEFT HAND
2	191423-1	RISER ELBOW CYL #6
3	191425-20	TAILPIPE LEFT HAND
4	191422-10	MUFFLER RIGHT HAND
5	191425-10	TAILPIPE RIGHT HAND
6	191423-2	RISER ELBOW CYL #5
7	191427	SHROUD RIGHT HAND
-	628260	GASKET
-	191374	CARB AIR BOX
-	191359	ENGINE MOUNT
-	J-7518-4	SHOCK MOUNT



AD 76-23-03 R1

Applies to S/N's 30-139 thru 30-262.

Inspect exhaust system for cracks and for freedom of movement in ball joints.

Inspection required every 100 hrs of operation.

- Inspect the area where riser attaches to the body of the muffler for cracks.
- This muffler does not require flame tubes or cones.

☞ A pressure test inspection is advisable for this muffler.

(toll free) 1-888-388-8803 1-780-447-5955 Fax: 1-780-447-5980
sales@acornwelding.com parts@acornwelding.com www.acornwelding.com