



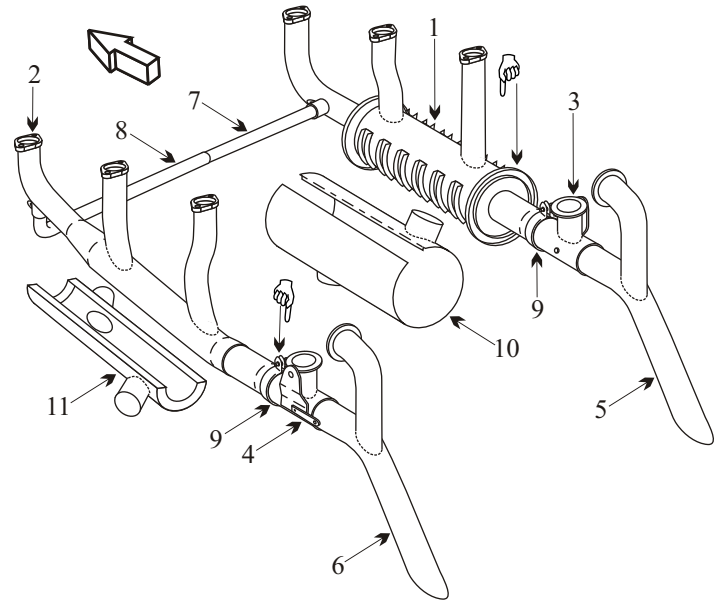
Exhaust Systems Engine Mounts Carb Air Boxes

Shrouds • Seats • Piston • Turbine • Radial • Vintage • And More...



BELLANCA 17-31A TC VIKING WITH LYCOMING IO 540 AND TWIN TURBO

Item	Part Number	Description
1	191672-0	MUFFLER RIGHT HAND
2	191967-0	STACK LEFT HAND
3	191986-20	WASTEGATE ASSY RIGHT HAND
4	191986-30	WASTEGATE ASSY LEFT HAND
5	191654-10	TAILPIPE RIGHT HAND
6	191658-10	TAILPIPE LEFT HAND
7	191652	BALANCE TUBE RIGHT HAND
8	191653	BALANCE TUBE LEFT HAND
9	191424	CLAMP
10	191842-10	SHROUD RIGHT HAND
11	191968-0	SHROUD LEFT HAND
-	77611	GASKET
-	191956-30	ALTERNATE AIR ASSY
-	191524-10	ENGINE MOUNT
-	J-9868-5	SHOCK MOUNT



● Inspect the area where riser attaches to the body of the muffler for cracks.

● This muffler does not require flame tubes or cones.

☞ Inspect the butterfly valve for cracks, warpage distortion and check for adequate tension in the spring.

☞ A pressure test inspection is advisable for this muffler.

(toll free) 1-888-388-8803 1-780-447-5955 Fax: 1-780-447-5980
 sales@acornwelding.com parts@acornwelding.com www.acornwelding.com