



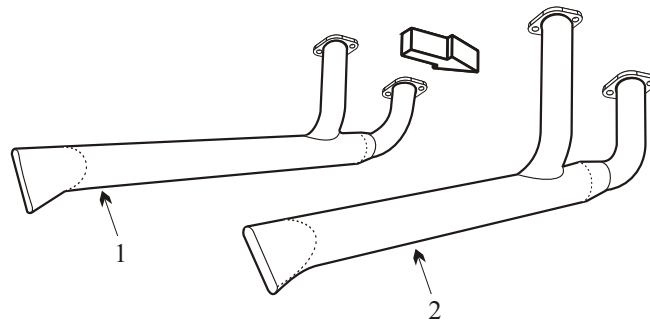
Exhaust Systems Engine Mounts Carb Air Boxes

Shrouds • Seats • Piston • Turbine • Radial • Vintage • And More...



CESSNA 120/140

Item	Part Number	Description
1	0450145-1	STACK LEFT HAND
2	0450145-2	STACK RIGHT HAND
-	0450237	SHROUD SET RIGHT HAND
-	0450228-1	SHROUD SET LEFT HAND
-	0451000	ENGINE MOUNT
-	0451111	ENGINE MOUNT C-140A
-	0451000M	ENGINE MOUNT 0290 CONVERSION
-	0422340-8	LIFT STRUT LEFT HAND
-	0422340-9	LIFT STRUT RIGHT HAND
-	0422171-1	JURY STRUTS RIGHT HAND
-	0422174	JURY STRUTS LEFT HAND
-	0411495	GEAR LEG BULKHEAD LEFT HAND
-	0411495-1	GEAR LEG BULKHEAD RIGHT HAND
-	652459	GASKET



Cessna 120

AD 48-25-02

Applies to "exhaust stacks welded to muffler" design.
Inspect muffler assemblies for any evidence of cracks.
Inspection required for each 25 Hrs of operation unless replaced.

(toll free) 1-888-388-8803 1-780-447-5955 Fax: 1-780-447-5980
sales@acornwelding.com parts@acornwelding.com www.acornwelding.com