

## CESSNA 152

Item	Part Number	Description
	0454021-1	EXHAUST ASSY
1	0454009-6	MUFFLER WELD ASSY
2	0454010-9	SHROUD ASSY HEATER TWO PIECE
3	0454023-4	RISER ASSY RIGHT HAND FWD
4	0454023-3	RISER ASSY RIGHT HAND AFT
5	0454023-2	RISER ASSY LEFT HAND FWD
6	0454023-1	RISER ASSY LEFT HAND AFT

• This muffler does not require flame tubes or cones.

Item	Part Number	Description
	0454011-200	EXHAUST ASSY
1	0454009-5	MUFFLER WELD ASSY
2	0454010-1	SHROUD ASSY HEATER TWO-PIECE
3	0454002-4	RISER ASSY RIGHT HAND FWD
4	0454002-2	RISER ASSY RIGHT HAND AFT
5	0454002-11	RISER ASSY LEFT HAND FWD
6	0454002-10	RISER ASSY LEFT HAND AFT
-	0454013-1	CARB HEAT SHROULD

• This muffler does not require flame tubes or cones.  
 • When initially replacing this part check end plate of muffler. If there is not a "C" stamped on end plate you must order one 0454011-200 muffler & riser assy.

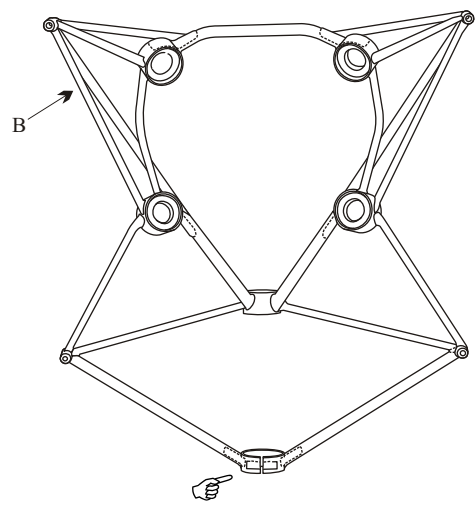
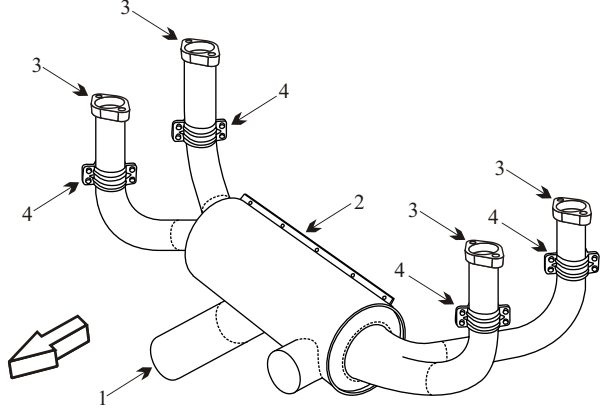
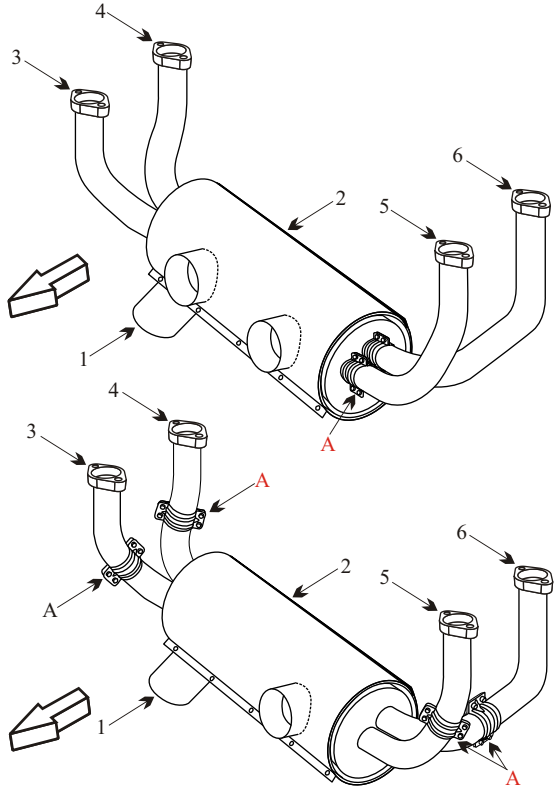
Item	Part Number	Description
	EL099001-060	EXHAUST ASSY
1	EL099001-716	MUFFLER ASSY
2	EL099001-717	SHROUD ASSY
3	EL099001-271	RISER ASSY
4	EL099001-401	CLAMP HALF

• The muffler must have inner flame tubes still attached to be serviceable.

### COMMON PARTS WITH ALL 3 SYSTEMS

Item	Part Number	Description
A	0750161-25	CLAMP HALF
-	77611	GASKET
-	DOYNE CONV	ENGINE MOUNT
-	0451003-29	ENGINE MOUNT
B	0451003-36	ENGINE MOUNT
-	J-7402-1	SHOCK MOUNT
-	0426019-23	FUEL TANK LEFT HAND
-	0426019-24	FUEL TANK RIGHT HAND
-	0426021-25	FUEL TANK LONG RANGE LEFT HAND
-	0426021-26	FUEL TANK LONG RANGE RIGHT HAND
-	0450052-2/3	CARB AIR BOX

**Cessna 152**  
 AD 79-02-06  
 Applies to S/N's 15279406 thru 15282919 and S/N's A1520735 thru A1520845 with KMR Industries muffler P/N 1-1000. Inspection required for each 50 Hrs of operation unless Cessna Service Kit 152-3 installed or muffler replaced.



☞ Inspect this area for cracks.