



# Exhaust Systems Engine Mounts Carb Air Boxes

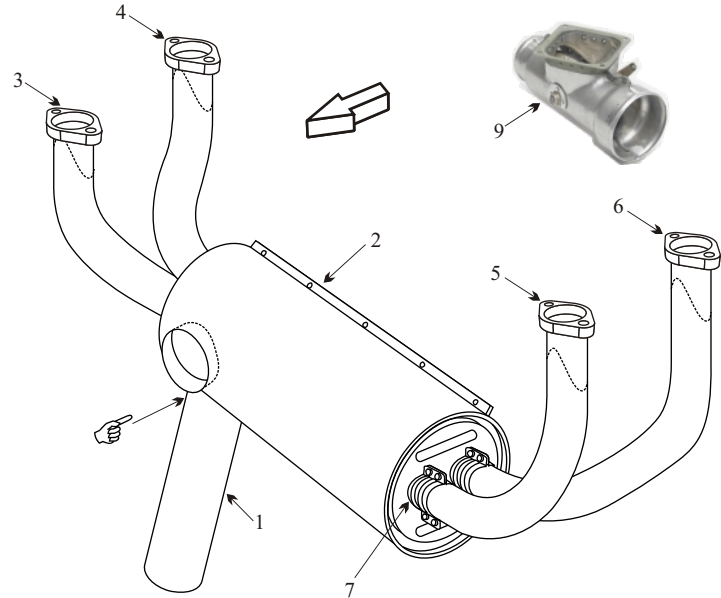
Shrouds • Seats • Piston • Turbine • Radial • Vintage • And More...



## CESSNA 177 CARDINAL

SN 1-2752

Item	Part Number	Description
1	0554011-1	MUFFLER INCO WITH 16" OUTLET
1	1754001-9	MUFFLER WITH 16" OUTLET W/FLAME TUBE
1	1754001-25	MUFFLER WITH 16" OUTLET W/FLAME TUBE
2	1754002-1	SHROUD
3	1754010-1	RISER RIGHT FRONT
3	9954100-7	RISER RIGHT FRONT (1754010-1)
4	9954100-4	RISER RIGHT REAR (1754007-1)
5	9954100-6	RISER LEFT FRONT (1754009-3) SN <sup>1165</sup> and on
5	1754009-1	RISER LEFT FRONT O-320 ENG SN <sup>0001</sup> <sub>1164</sub>
6	9954100-5	RISER LEFT REAR (1754008-3) SN <sup>1165</sup> and on
6	1754008-1	RISER LEFT REAR O-320 ENG SN <sup>0001</sup> <sub>1164</sub>
7	0750161-25	CLAMP HALF 1 3/4"
-	1754001-5	CARB HEAT SHROUD
-	77611	GASKET
-	1752088-1	CARB AIR BOX SN <sup>0001</sup> <sub>1773</sub>
9	1752088-3	CARB AIR BOX SN <sup>1774</sup> <sub>2269</sub>
-	1752088-5	CARB AIR BOX SN <sup>2270</sup> and on
-	1751000-21	ENGINE MOUNT
-	J-9613-49	SHOCK MOUNT



- To inspect this muffler, it is advisable to pressure test.
- Inspect muffler for wear areas from the shroud divider.
- Inspect riser stacks at the flange reinforcement doublers, at the weld edges, and flange base for cracks. The inspection is more successful if the carbon residue is removed from inside the stack.

☞ Inspect muffler where tail pipe attaches to the muffler as it usually cracks from the inside in this area.

(toll free) 1-888-388-8803 1-780-447-5955 Fax: 1-780-447-5980  
 sales@acornwelding.com parts@acornwelding.com www.acornwelding.com