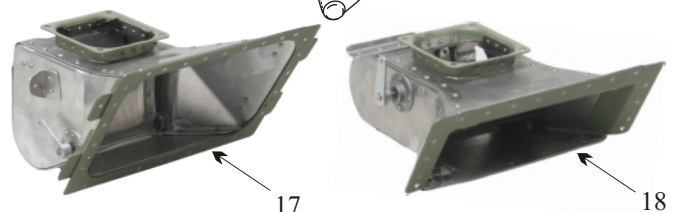
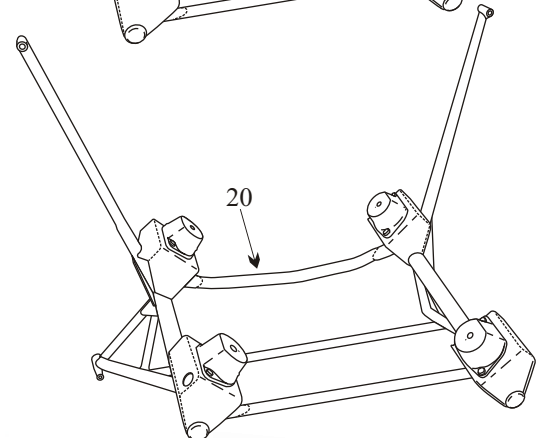
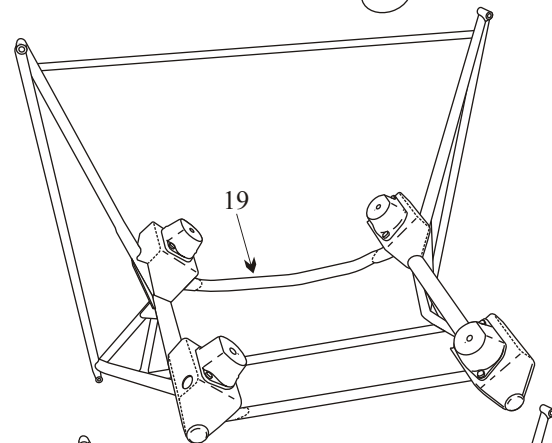
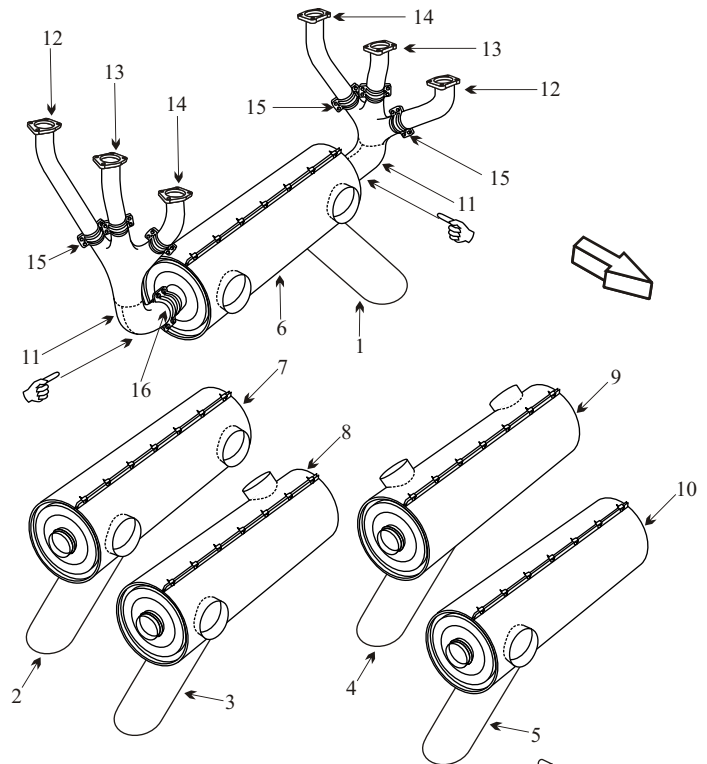


CESSNA 180 SN 32151-51312

CESSNA 182 SKYLANE SN 33000-53598

Item	Part Number	Description
1	0750130-9	MUFFLER C-180 SN 32151-50105 C-182 SN 33000-34753
2	0750130-12	MUFFLER C-180 SN 50106-50355 C-182 SN 34753-51556
3	0750130-44	MUFFLER C-180 SN 50356-51312 C-182 SN 51557-53598
4	0750130-54	MUFFLER C-182 SN 53559-54423
5	0750130-60	MUFFLER C-182 SN 54424-55058
6	0750130-11	SHROUD FOR -9 MUFFLER
7	0750130-13	SHROUD FOR -12 MUFFLER
8	0750130-46	SHROUD FOR -44 MUFFLER
9	0750130-51	SHROUD FOR -54 MUFFLER
10	0750130-61	SHROUD FOR -60 MUFFLER
11	0750130-48	COLLECTOR
12	0750130-3	RISER RH AFT/LH FWD
13	0750130-5	RISER CTR
14	0750130-4	RISER LH AFT/RH FWD
15	0750130-31	CLAMP HALF
16	0750130-42	CLAMP
-	628260	GASKET
17	0750126-21	CARB AIR BOX C-180 SN 32151-50661
18	0750144-1/33	CARB AIR BOX C-180 SN 50662 and on C-182 SN 51557 and on
-	0750133-1	CARB AIR BOX C-182 SN 33000-34440
-	0750133-18	CARB AIR BOX C-182 SN 34441-51556
-	0751001-1/29	ENGINE MOUNT C-180 SN 32151-50661
-	0751001-23	ENGINE MOUNT ^{Float Plane} C-180 SN 32151-50661
-	0751001-13/30	ENGINE MOUNT C-180 SN 50662-52384 C-182 SN 33000-53598
-	0751001-25	ENGINE MOUNT ^{Float Plane} C-180 SN 50662-53202 C-182 SN 33000-53598
-	0751001-27	ENGINE MOUNT ^{Float Plane} C-180 SN 51184 and on
-	J-6545-1	SHOCK MOUNT
-	VARIOUS	SEAT BASE
-	SK182-78	CARB HEAT KIT
-	400-1 <u>NOTE A:</u>	ENGINE MOUNT C-180 SN 50662-53203 O470-L,R,S,U. Land or Float
19	480-1 <u>NOTE A:</u>	ENGINE MOUNT C-180 SN 50662 to 53203 IO470, IO520, IO550
-	400-2 <u>NOTE A:</u>	ENGINE MOUNT C-182 SN 33000 to 53598 O470-R,S,U. Land or Float
-	440-1 <u>NOTE A:</u>	ENGINE MOUNT C-182 SN 53599-68615 O470-R,S,U. Land or Float
-	440-2 <u>NOTE A:</u>	ENGINE MOUNT C-182 SN 53599 - 68615 IO470, 520, 550 Land or Float
20	460-1 <u>NOTE A:</u>	ENGINE MOUNT C-182 SN 53599-68615 O470-R,S,U. Land only
-	460-2 <u>NOTE A:</u>	ENGINE MOUNT C-182 SN 53599-68615 IO470, IO520, IO550 Land only



● This muffler requires flame cones which are still attached to be serviceable.

● Inspect under clamps for corrosion, poor fit or cracks.

● Inspect muffler for blisters or bulges under heat shroud.

☞ This part has a hot area at the elbow. Inspect this area for black flaking metal and bulges.

Note A: The mount is a new STC and is a far superior replacement compared to the original mount. The modifications include doublers and thicker tubes in the high stress areas as well as all four rubber mounts are heavier, reducing vibration.