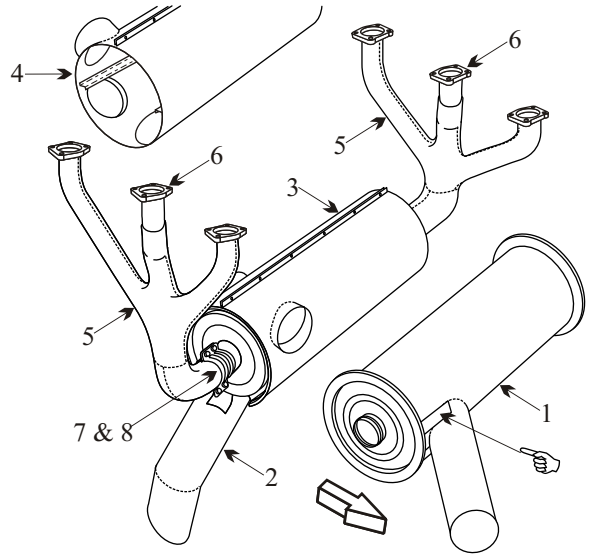


CESSNA 180 SN 51313-53203
CESSNA 182 SKYLANE SN 53599-68055
CESSNA 185 SKYWAGON SN 0001-04448

Item	Part Number	Description	Code
1	0750161-89	MUFFLER	A,B,C.
2	C-1851D	MUFFLER (MODIFIED STC) FLOAT OR LAND	A,B,C.
3	0750161-87A	SHROUD MODIFIED	D
3	0750161-87	SHROUD	A,B,C.
4	0750161-40	SHROUD C-182 SN ⁵⁵⁰⁵⁹ ₆₀₄₄₅	
5	0750238-210	STACK	A
5	0750238-47	STACK	C
5	0750238-20	STACK	B
6	0750238-5	RISER CENTER	A,B,C
-	0750161-31	STACK WITH BEADED RISER CENTER	A
-	0750161-36	RISER CENTER BEADED END	A
7	0750161-22	CLAMP 2 5/8" NO PIN (2 REQUIRED)	
8	0750161-24	CLAMP 2 5/8" WITH PIN (2 REQUIRED)	
-	0750607-4	CARB HEAT OUTBOARD C-180/182	
-	0750607-5	CARB HEAT INBOARD C-180/182	
-	628260	GASKET	
-	0750144-21/33	CARB AIR BOX C-180/182	
-	0750162-6	INDUCTION AIR BOX C-185 SN ⁰⁰⁰¹ ₀₅₁₂	
-	0750162-7	INDUCTION AIR BOX C-185 SN ⁰⁵¹³ ₁₃₀₀	
-	0750162-9	INDUCTION AIR BOX C-185 SN ¹³⁰¹ ₁₄₇₉	
-	0750162-10	INDUCTION AIR BOX C-185 SN ¹⁴⁸⁰ ₁₈₃₂	
-	1650012-1	INDUCTION AIR BOX C-185 SN ¹⁸³³ ₂₀₀₇	
-	1652013-39	ALTERNATE AIR BOX ASSY SN ¹⁸⁵⁰²³¹¹ _{and on}	
-	0751001-30	ENGINE MOUNT C-180 LAND PLANE	E,G
-	0751001-27	ENGINE MOUNT C-180 FLOAT PLANE	X
-	0751600-11	ENGINE MOUNT C-182	K
-	0751003-30	ENGINE MOUNT C-185 LAND PLANE	H
-	0751003-31	ENGINE MOUNT C-185 FLOAT PLANE	H
-	0751007-16	ENGINE MOUNT C-185 3 BLADE	H
-	400-1	ENGINE MOUNT STC (SEE PAGE 9)	E,M
-	480-1	ENGINE MOUNT STC (SEE PAGE 9)	H,F,M
-	400-2	ENGINE MOUNT STC (SEE PAGE 9)	G,M
-	440-1	ENGINE MOUNT STC (SEE PAGE 9)	I,M
-	440-2	ENGINE MOUNT STC (SEE PAGE 9)	J,M
-	460-1	ENGINE MOUNT STC (SEE PAGE 9)	K,L
-	460-2	ENGINE MOUNT STC (SEE PAGE 9)	L,M
-	400	INSTALL KIT STC MOUNTS ONLY	
-	0713103-2	WINDSHIELD BRACE	
-	J-6545-1	SHOCK MOUNT	
-	J-15198-1	SHOCK MOUNT REAR STC ONLY	
-	J-15198-2	SHOCK MOUNT FRONT STC ONLY	
-	VARIOUS	SEAT BASES	



Usable on Codes

- A: C-180 SN 51414-52273, C-182 SN 55059-57598, C-185 SN 0001-02068
- B: C-180 SN 52274-52617, C-182 SN 57599-68055
- C: C-185 SN 02069-04449
- D: Aircraft with C-1851D Muffler
- E: C-180 SN 50662-53203 O470-L,R,S,U Land or Float
- F: C-180 SN 50662-53203 IO470, IO520, IO550
- G: C-182 SN 18233000 to 18253598 0470 R, S, U. Land or Float
- H: C-185 SN 0001-04448 Land or Float
- I: C-182 SN 53599-68615 O470-R,J,U Land or Float
- J: C-182 SN 53599-68615 IO470, IO520, IO550 Land or Float
- K: C-182 SN 53599-68615 O470-R,S,U Land only
- L: STC C-182 SN 53599-68615 IO470, IO520, IO550 Land only
- M: The mount is a new STC and is a far superior replacement compared to the original mount. The modifications include doublers and thicker tubes in the high stress areas as well as all four rubber mounts are heavier, reducing vibration.
- X: C-180 SN 52385-53203 Float-0470

☞ When other manufacturers added the sheet metal gussets on both sides of the tailpipe, we feel they broke the general rules in aircraft muffler building design to reduce vibration stress.

- This muffler requires flame cones which are still attached to be serviceable.

• Our STC muffler is far superior to others for several reasons. The tailpipe is attached to the muffler by an extensive pull through without doublers or gussets. This reduces the notch effect that is the most common cause for premature failure in the exhaust industry. The muffler body and flame cones are thicker than other manufacturers. Also, the muffler has a legal outlet extension to keep the belly and the float stabilizer cleaner, and it reduces cabin noise. The outlet also has a bail to prevent blockage of the tailpipe and a guard to prevent carbon monoxide from entering the cabin.

- If the bottom of your muffler shroud is rubbing on the induction, it is possible that the wrong stacks are installed for the S/N of the aircraft.