



Exhaust Systems Engine Mounts Carb Air Boxes

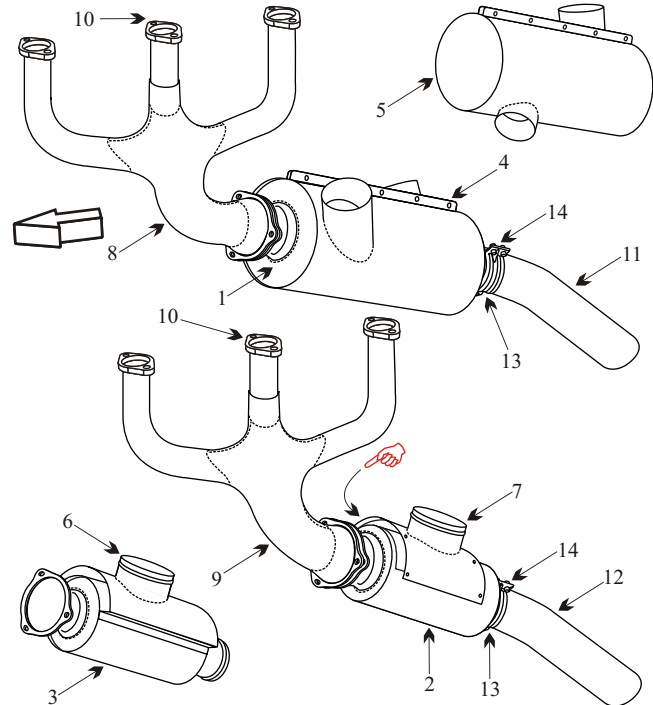
Shrouds • Seats • Piston • Turbine • Radial • Vintage • And More...




CESSNA 182 RG SKYLANE

SN 1-2032

Item	Part Number	Description
1	1250250-5	MUFFLER RH (650-43) SN 0001 1798
1	C156020-0101	MUFFLER RIGHT HAND SN 1799 and on
2	1250251-12/13	MUFFLER LH (650-99) SN 1799 and on
3	C156020-0201	MUFFLER LEFT HAND SN 1799 and on
4	1254012-12	SHROUD RIGHT HAND SN 1799 and on
5	2254001-1	SHROUD RIGHT HAND SN 0001 1798
6	2254026-1	SHROUD LEFT HAND SN 1799 and on
7	1250251-14	SHROUD LEFT HAND SN 0001 1798
8	2254003-4	COLLECTOR RIGHT HAND
9	2254003-3/23	COLLECTOR LEFT HAND
10	2254000-1	RISER CENTER
11	2254003-18	TAILPIPE RIGHT HAND
12	2254003-17	TAILPIPE LEFT HAND
13	0750161-22	CLAMP NO PIN
14	1254007-1	CLAMP WITH PIN
-	77611	GASKET
-	2250016-1	CARB AIR BOX
-	2251000-1/18	ENGINE MOUNT
-	J-9613-12	SHOCK MOUNT
-	VARIOUS	SEAT BASE
-	030-250	SPRING KIT



- Muffler requires baffles to be serviceable.
 - Inspect muffler for blisters or bulges under heat shroud.
-  Inspect muffler at shroud attach brackets.

(toll free) 1-888-388-8803 1-780-447-5955 Fax: 1-780-447-5980
 sales@acornwelding.com parts@acornwelding.com www.acornwelding.com