



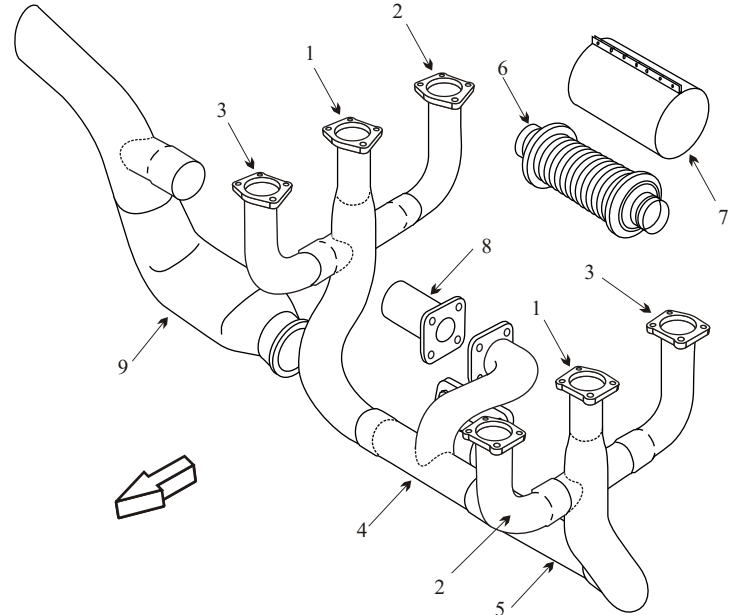
Exhaust Systems Engine Mounts Carb Air Boxes

Shrouds • Seats • Piston • Turbine • Radial • Vintage • And More...



CESSNA A-188B AG TRUCK CESSNA T-188C AG HUSKY SN 3297T-3797T, 3799T-3802T, 3805T-3810T, 3812T-3816T

Item	Part Number	Description	
1	642499	TEE ASSY CYL #3 & #4	
2	642497	RISER CYL #2 & #5	RH FWD LH AFT
3	642498	RISER CYL #1 & #6	LH AFT RH FWD
4	642500	HEADER CROSS PIPE	
5	642492	CROSSOVER TUBE	
6	3208672-107	HEAT MUFFLER	
7	1600128-1	SHROUD	
8	642511	ADAPTOR ASSY	
9	642510	TAILPIPE	
-	0550176-26	CLAMP MUFFLER	
-	0550176-31	CLAMP MUFFLER	
-	633358	TAILPIPE CLAMP	
-	628260	GASKET CYLINDER	
-	636465	GASKET TURBO	
-	1650073-1	INDUCTION AIR BOX	SN ^{3297T} 3869T
-	1652049-16	INDUCTION AIR BOX	SN ^{3870T} and on
-	1651012-1	ENGINE MOUNT	
-	J-6545-6	SHOCK MOUNT FWD 2 REQ	
-	J-15198-1	SHOCK MOUNT AFT 2 REQ	
-	628260	GASKET	



- Inspect joints for freedom of movement and distortion.
- Inspect turbo header for internal pitting, warped or cracked flow divider and thin sections.

(toll free) 1-888-388-8803 1-780-447-5955 Fax: 1-780-447-5980
sales@acornwelding.com parts@acornwelding.com www.acornwelding.com