



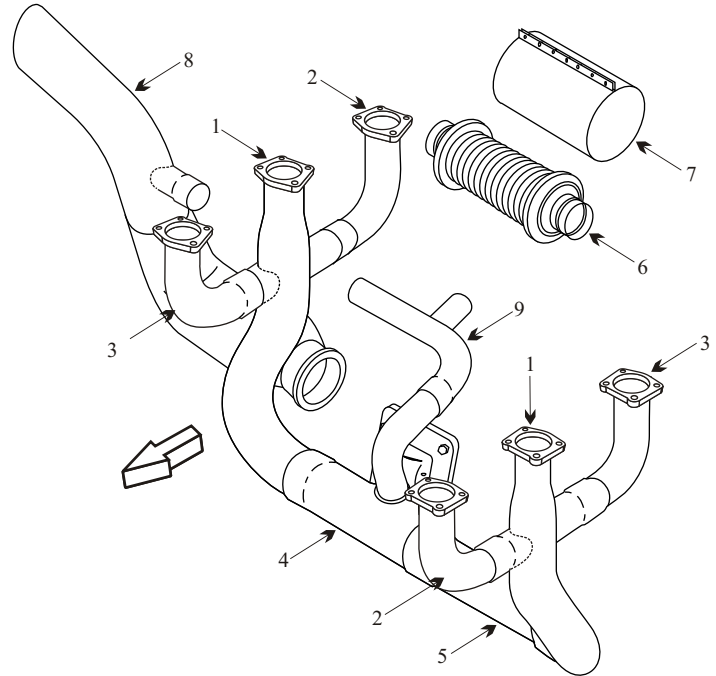
Exhaust Systems Engine Mounts Carb Air Boxes

Shrouds • Seats • Piston • Turbine • Radial • Vintage • And More...



CESSNA A-188B AG TRUCK CESSNA T-188C AG HUSKY SN 3798-3803T, 3804T-3811T, 3817T-3968T

Item	Part Number	Description	
1	643876	TEE ASSY CYL #3 & #4	
2	643877	RISER CYL #2 & #5	
3	643878	RISER CYL #1 & #6	
4	643880	HEADER CROSS PIPE	
5	643879	CROSSOVER TUBE	
6	3208672-107	HEAT MUFFLER	
7	1600128-1	SHROUD	
8	643881	TAILPIPE	
9	643882	BYPASS VALVE	
-	633358	TAILPIPE CLAMP	
-	636465	GASKET TURBO	
-	628260	GASKET CYLINDER	
-	1650073-1	INDUCTION AIR BOX	SN 3297T 3869T
-	1652049-16	INDUCTION AIR BOX	SN 3870T 3968T
-	1651012-1	ENGINE MOUNT	
-	J-6545-6	SHOCK MOUNT FWD 2 REQ	
-	J-15198-1	SHOCK MOUNT AFT 2 REQ	
-	628260	GASKET	



- Inspect turbo header for internal pitting, warped or cracked flow divider and thin sections.
- Inspect bypass attach area and flow divider for cracks and distortion.

- Inspect joints for freedom of movement and distortion.

(toll free) 1-888-388-8803 1-780-447-5955 Fax: 1-780-447-5980
 sales@acornwelding.com parts@acornwelding.com www.acornwelding.com