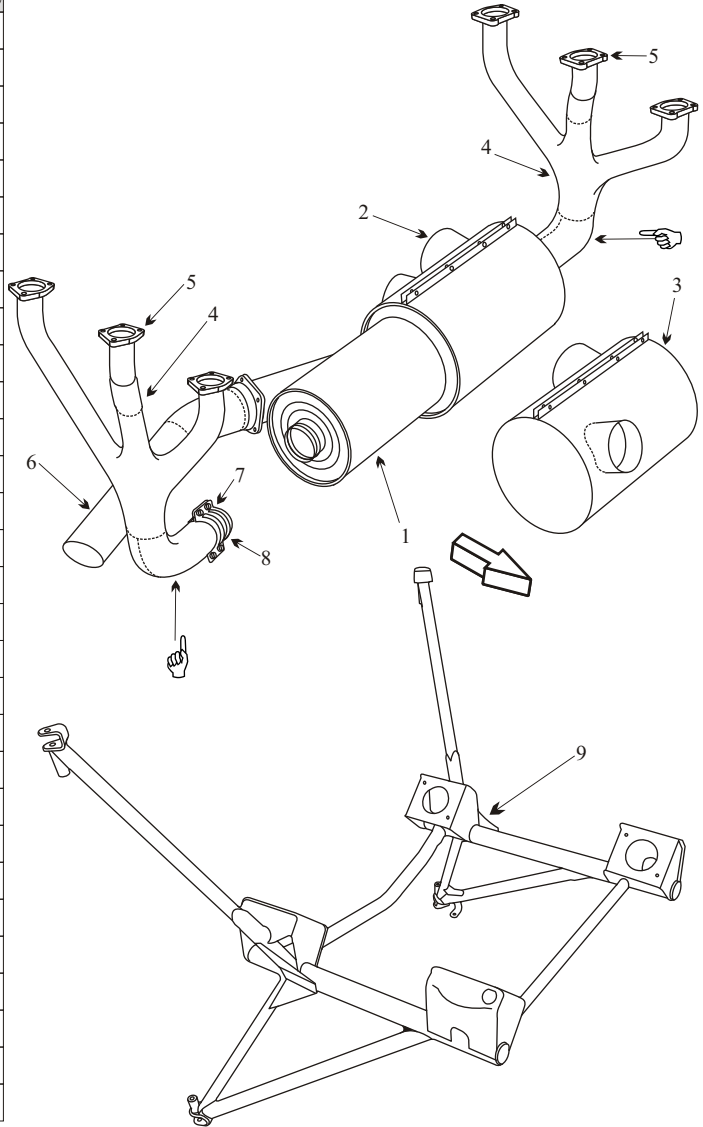


CESSNA AG-188 AG-TRUCK CESSNA AG-188 AG-WAGON CESSNA AG-188 AG-PICKUP

Item	Part Number	Description	Code
1	1650033-38	MUFFLER	
2	1654013-1	SHROUD	
3	1650045-5	SHROUD	
4	0750238-210	STACK ASSY	A
4	0750238-47	STACK ASSY	B
4	0750238-26	STACK ASSY RIGHT HAND	C
4	0750238-29	STACK ASSY LEFT HAND	C
5	0750238-5	RISER CENTER	
6	1650033-11	TAILPIPE	
7	0750161-22	CLAMP NO PIN	
8	0750161-24	CLAMP WITH PIN	
-	628260	GASKET	
-	019-250	SPRING KIT TAILPIPE	
-	0750144-21	CARB AIR BOX <small>188 only SN 001 2348</small>	
-	0750162-9	INDUCTION AIR BOX <small>SN 0001 0504</small>	
-	0750162-10	INDUCTION AIR BOX <small>SN 0505 0707</small>	
-	1650012-1	INDUCTION AIR BOX <small>SN 0708 0832</small>	
-	1652027-1	INDUCTION AIR BOX <small>SN 1375 2348</small>	
-	1652027-2	INDUCTION AIR BOX <small>SN 1375 1756</small>	
-	1652027-40	INDUCTION AIR BOX <small>SN 1757 2348</small>	
-	1652013-19	INDUCTION AIR BOX <small>SN 2349 3025</small>	
-	1652049-13	INDUCTION AIR BOX <small>SN 3026 3048</small>	
-	0751001-30	ENGINE MOUNT O470 <small>SN 001 2348</small>	
-	1651001-200	ENGINE MOUNT IO520 <small>SN 001 1374</small>	
9	1651003-19	ENGINE MOUNT IO520 <small>SN 1375 and on</small>	
-	J-6545-1	SHOCK MOUNT	
-	J-15198-1	SHOCK MOUNT AFT 2 REQ	
-	J-15198-2	SHOCK MOUNT FWD 2 REQ	
-	1650085-ISK	TAILPIPE SUPPORT KIT	
-	VARIOUS	SEAT BASE	



Cessna 188 & A188
AD 68-07-07
Applies up to and including S/N's 188-0317 see AD for more detail.
Reinforce rudder pedal attachment as per Cessna SL 67-47.

Usable on Codes
A: C-188/A188 SN 001-1045
B: C-188 SN 1046-2348
C-A188 SN 1046-1374
C: C-A188 SN 1375-2348

- This ball joint outlet style muffler has far less problems than the earlier fixed outlet style of muffler.
 - Inspect muffler for blisters or bulges under heat shroud.
 - This muffler does not require flame tubes or cones.
- ☞ This part has a hot area at the elbow. Inspect this area for black flaking metal and bulges.

