



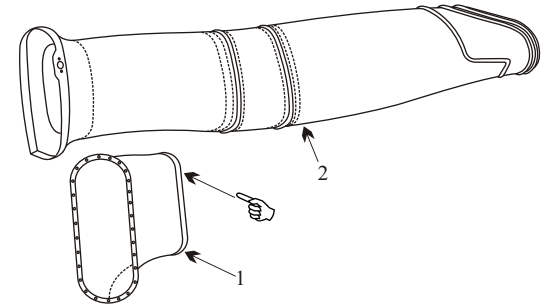
Exhaust Systems Engine Mounts Carb Air Boxes

Shrouds • Seats • Piston • Turbine • Radial • Vintage • And More...



CESSNA 208/675 CARAVAN

Item	Part Number	Description	Note
PRIMARY EXHAUST STACK			
1	2654014-15	PRIMARY EXHAUST STACK	A
1	2654014-16	PRIMARY EXHAUST STACK SN ⁰³⁷⁵ _{and on} SN ^{B1050} _{and on}	A
AIRCRAFT WITHOUT CARGO PODS (INCLUDING FLOAT)			
-	2654008-36	SECONDARY EXHAUST STACK SN ⁸¹ ₃₇₃ SN ^{B180} _{B939}	
-	2654008-39	SECONDARY EXHAUST STACK SN ³⁷⁴ _{and on}	
-	2654008-205	SECONDARY EXHAUST STACK SN ³⁷⁴ _{and on}	
-	2654005-1	EXHAUST DEFLECTOR	
AIRCRAFT WITH CARGO POD			
-	2654018-18	SECONDARY EXHAUST STACK(STRAIGHT) SN ⁰⁰⁰¹ ₀₁₀₅	B
-	2654018-24	SECONDARY EXHAUST STACK(STRAIGHT) SN ⁰⁰⁰¹ ₀₁₂₄ SN ^{B0001} _{B0038}	C
-	2654018-39	SECONDARY EXHAUST STACK(STRAIGHT) SN ⁰¹²⁵ ₀₁₆₉ SN ^{B0039} _{B0198}	
-	2654018-42	SECONDARY EXHAUST STACK(STRAIGHT) SN ⁰¹⁷⁰ ₀₁₉₉ SN ^{B0198} _{B0249}	
-	4654018-43	SECONDARY EXHAUST STACK(STRAIGHT) SN ⁰²⁰⁰ ₀₂₆₀ SN ^{B0250} _{B0597}	
-	2654018-51	SECONDARY EXHAUST STACK(STRAIGHT) SN ⁰²⁶¹ ₀₃₂₈ SN ^{B0598} _{B0839}	
2	2654030-1	SECONDARY EXHAUST STACK(CURVED) SN ⁰³²⁹ ₀₃₇₃ SN ^{B0840} _{B1048}	
2	2654030-19	SECONDARY EXHAUST STACK(CURVED) SN ⁰³⁷⁴ _{and on} SN ^{B1049} _{and on}	
2	2654030-200	SECONDARY EXHAUST STACK(CURVED)	D
-	SK208-129	INSTALL KIT FOR REPLACING 2654030-200 STACK SN ⁰⁰⁰¹ ₀₂₆₀ SN ^{B0001} _{B0597}	
-	SK208-139	INSTALL KIT FOR REPLACING 2654030-200 STACK SN ⁰²⁶¹ ₀₃₁₅ SN ^{B0598} _{B0799}	
★ 2	2654030-210	SECONDARY EXHAUST STACK	D
-	2651023-19	ENGINE MOUNT	
-	2651022-15	RING ASSY MOUNT	
-	2651022-18	RING ASSY MOUNT	



MECHANICS NOTES

☞ Check for rub marks at end of primary exhaust for clearance interference with secondary exhaust. Adjust as required to prevent wear.

- Weld repairs are limited to cracks on or adjacent to weld, up to 4 inches long. We recommend cleaning to remove residue and performing LP inspections, at least at every engine change. This simple inexpensive step can eliminate unnecessary replacement expenses.

★ There is one INCO P/N stack prior to this, there are several stainless steel P/N stacks.

Note:

- A- SB CAB07-02 Applies to this part
- B- Aircraft not Incorporating SK208-23
- C- Aircraft Incorporating SK208-23
- D- Install appropriate SK for SN range

(toll free) 1-888-388-8803 1-780-447-5955 Fax: 1-780-447-5980
 sales@acornwelding.com parts@acornwelding.com www.acornwelding.com