



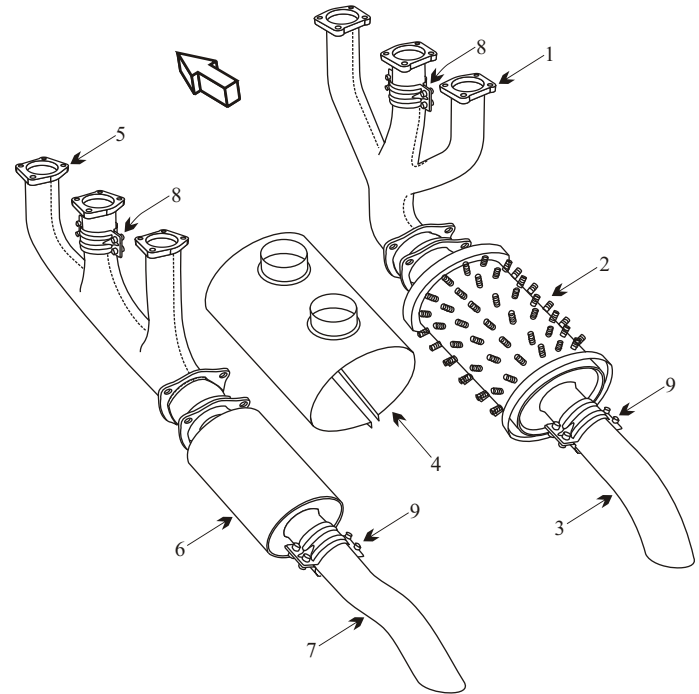
Exhaust Systems Engine Mounts Carb Air Boxes

Shrouds • Seats • Piston • Turbine • Radial • Vintage • And More...



CESSNA 350 CORVALIS WITH CONTINENTAL IO-550-N ENGINE

Item	Part Number	Description
1	LA71849202	EXHAUST ASSY RIGHT HAND <small>With Riser</small>
2	LA71849204	MUFFLER RIGHT HAND
3	LA71849206	TAILPIPE RIGHT HAND
4	LA71849208	SHROUD RIGHT HAND
5	LA71849101	EXHAUST ASSY LEFT HAND <small>With Riser</small>
6	LA71849105	MUFFLER LEFT HAND
7	LA71849107	TAILPIPE LEFT HAND
8	LA71849109	CLAMP HALF RISER
9	LA71849111	CLAMP HALF TAILPIPE
-	628260	GASKET
-	011-250	SPRING KIT
-	LA71203000	ENGINE MOUNT
-	VARIOUS	SEAT BASE FRAME



- Mufflers purchased at Acorn Welding have an internal bail to prevent outlet blockage.
- This muffler requires flame cones which are still attached to be serviceable.
- Inspect muffler for blisters or bulges under heat shroud.

- Inspect muffler for wear areas where the shroud rests on the muffler.
- The riser stacks flare into the muffler making them difficult to remove.

(toll free) 1-888-388-8803 1-780-447-5955 Fax: 1-780-447-5980
 sales@acornwelding.com parts@acornwelding.com www.acornwelding.com