



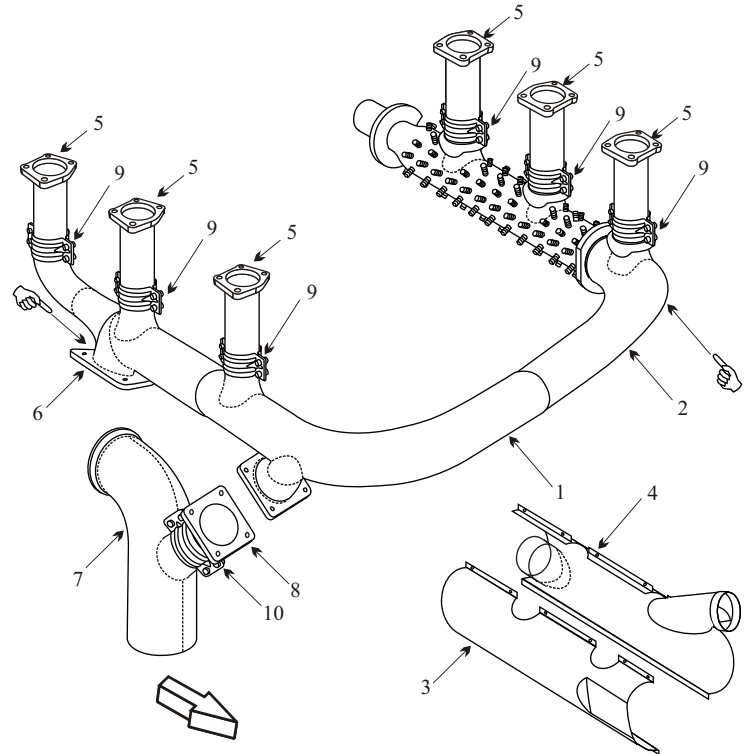
# Exhaust Systems Engine Mounts Carb Air Boxes

Shrouds • Seats • Piston • Turbine • Radial • Vintage • And More...



## CESSNA T206/T207/T210 MODIFIED STC

Item	Part Number	Description
1	K1250860-104	EXHAUST RIGHT FRONT
2	K1250860M-203	EXHAUST LEFT SIDE
3	1250860-150	SHROUD INBOARD
4	1250860-151	SHROUD OUTBOARD
5	K1250860-100	RISER
6	K1250860M-105	TURBO INLET
7	1250860-110	TAILPIPE
7	1250860-109	TAILPIPE
8	K1250860-78	TAILPIPE ADAPTER
9	1250860-29	CLAMP HALF
10	1250860-28	TAILPIPE ADAPTER CLAMP HALF
-	628260	GASKET
-	K1250860MA	MODIFICATION KIT (ITEMS 1, 2 + 6)



Inspection as per AD 71-09-07R1 increased to 100HR intervals on heat exchanger

☞ This part has a hot area at the elbow, inspect this area for black flaking metal and or bulges.

☞ Inspect the transition or plenum for blisters or cracks.

● Inspect tailpipe for thinning and internal corrosion.

(toll free) 1-888-388-8803 1-780-447-5955 Fax: 1-780-447-5980  
 sales@acornwelding.com parts@acornwelding.com www.acornwelding.com