



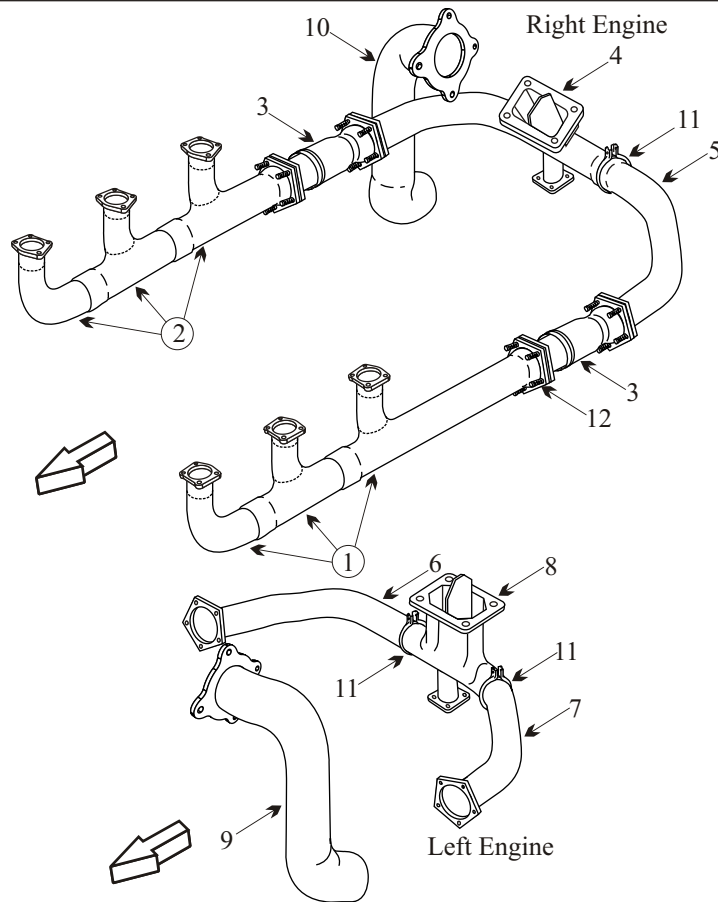
Exhaust Systems Engine Mounts Carb Air Boxes

Shrouds • Seats • Piston • Turbine • Radial • Vintage • And More...



CESSNA 320C WITH TCM TS10-470 ENGINE

| Item | Part Number | Description |
|------|---------------|-----------------------------|
| 1 | 0850660-6 | STACK ASSY LEFT HAND |
| 2 | 0850660-7 | STACK ASSY RIGHT HAND |
| 3 | 9910296-2/7 | SLIP JOINT |
| 4 | 0850655-92 | HEADER ASSY RIGHT ENGINE |
| 5 | 0850655-90 | MANIFOLD ELBOW RIGHT ENG IB |
| 6 | 0850695-89 | MANIFOLD ELBOW LEFT ENG IB |
| 7 | 0850655-91 | MANIFOLD ELBOW LEFT ENG OB |
| 8 | 0850655-93 | HEADER ASSY LEFT ENG |
| 9 | 0850656-41 | TAILPIPE LEFT ENGINE |
| 10 | 0850656-42 | TAILPIPE RIGHT ENGINE |
| 11 | MVC69370AP250 | CLAMP MANIFOLD |
| - | UIDC062-262M | CLAMP MANIFOLD SUPPORT |
| - | 636465 | GASKET TURBO |
| - | 0850662-1 | GASKET WASTEGATE |
| - | 51134-250S | GASKET MANIFOLD |
| - | 628260 | GASKET |
| 12 | 011-250 | SPRING KIT |
| - | 0850372-21 | INDUCTION AIR CANISTER |
| - | VARIOUS | SEAT BASE |



AD 2000-01-16

Applies to all S/N's

Visual inspection of exhaust system every 50 hrs or 30 days of operation.

Remove/inspect tailpipes for cracks, corrosion, holes or distortion every 12 months.

Inspect/pressure test exhaust system every 12 months.

Replace multi-segment V-band clamps every 500 hrs of operation.

Remove exhaust system from slip-joints aft to all turbo-charger components every 2500 hrs of operation or 12 yrs whichever occurs first and send to approved repair facility.

- Inspect tail pipes for internal pitting and wall thickness especially at the outside radius, which is the thin section, and at support bracket.
- Inspect joints for freedom of movement and distortion.
- Inspect turbo header for internal pitting, warped or cracked flow divider and thin sections.
- Slip fit stacks should be ordered as a complete assembly to ensure good joint integrity with smooth slip fits.

(toll free) 1-888-388-8803 1-780-447-5955 Fax: 1-780-447-5980
 sales@acornwelding.com parts@acornwelding.com www.acornwelding.com