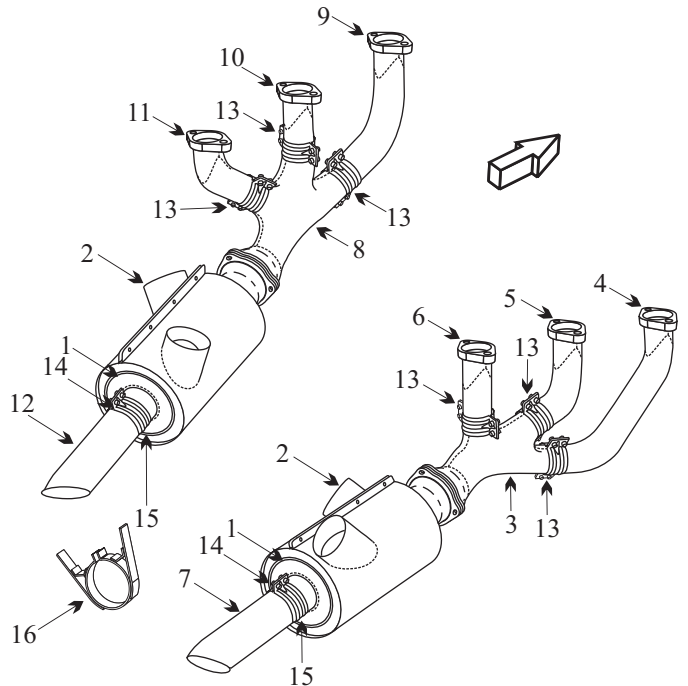


## CESSNA 337 FRONT ENGINE IO 360 CONTINENTAL ENGINE

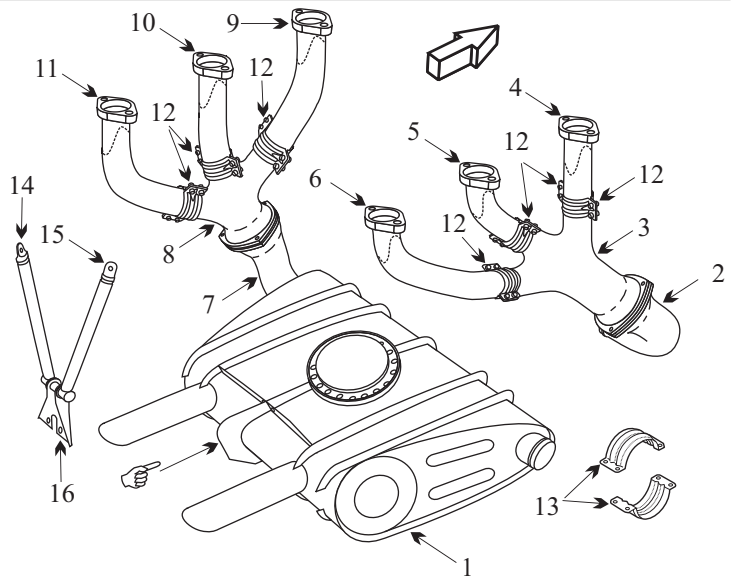
Item	Part Number	Description
1	1250250-5	MUFFLER (650-43)
2	1250250-6	SHROUD (1254008-1)
3	1555000-14	COLLECTOR RIGHT HAND FRONT
4	1455014-25	RISER RIGHT HAND FRONT
5	1455014-26	RISER RIGHT HAND CENTER
6	1455014-27	RISER RIGHT HAND REAR
7	1554000-2	TAILPIPE RIGHT HAND
NS	1554002-1	TAILPIPE CAMERA INSTALLATION
8	1555000-15	COLLECTOR LEFT HAND FRONT
9	1455014-19	RISER LEFT HAND FRONT
10	1455014-18	RISER LEFT HAND CENTER
11	1455014-17	RISER LEFT HAND REAR
12	1554000-1	TAILPIPE LEFT HAND
13	1250860-29	CLAMP HALF
14	1250201-8	CLAMP NO PIN
15	1254007-1	CLAMP WITH PIN
16	1250259-6	BRACKET SUPPORT
NS	970	GASKET
NS	029-250	SPRING KIT
NS	1457208-2	INDUCTION AIR BOX SN <sup>337-0001</sup> 0755
NS	1457208-4	INDUCTION AIR BOX SN <sup>337-0756</sup> and on
NS	1457208-6	INDUCTION AIR BOX SN <sup>337-1452</sup> 1462
NS	1451008-30	ENGINE MOUNT FWD
NS	J-9613-3	SHOCK MOUNT



- Muffler requires baffles to be serviceable.
- Inspect muffler for blisters or bulges under heat shroud.
- Mufflers purchased at Acorn Welding have an internal bail to prevent outlet blockage.
- Inspect riser stacks for cracks at the flange reinforcement doublers, at the weld edges and the flange base. The inspection is more successful if the carbon residue is removed from inside the stack.

## CESSNA 337 REAR ENGINE IO 360 CONTINENTAL ENGINE

Item	Part Number	Description
1	1555001-1	REAR MUFFLER
2	1555011-12	ELBOW RIGHT HAND
3	1555011-10	COLLECTOR RIGHT HAND REAR
4	1455014-17	RISER RIGHT HAND FRONT
5	1455014-18	RISER RIGHT HAND CENTER
6	1455014-19	RISER RIGHT HAND REAR
7	1555011-13	ELBOW LEFT HAND
8	1555011-9	COLLECTOR LEFT HAND REAR
9	1455014-27	RISER LEFT HAND FRONT
10	1455014-26	RISER LEFT HAND CENTER
11	1455014-25	RISER LEFT HAND REAR
12	1250860-29	CLAMP HALF 1 3/4"
13	1555002-1	CLAMP ASSY MUFFLER
14	1455017-1	BRACKET ASSY LEFT HAND
15	1455017-2	BRACKET ASSY RIGHT HAND
16	1555004-1	SUPPORT MUFFLER
NS	970	GASKET
NS	020-250	SPRING KIT
NS	1457208-2	INDUCTION AIR BOX SN <sup>337-0001</sup> 0755
NS	1457208-4	INDUCTION AIR BOX SN <sup>337-0756</sup> and on
NS	1457208-6	INDUCTION AIR BOX SN <sup>337-1452</sup> 1462
NS	VARIOUS	SEAT BASE



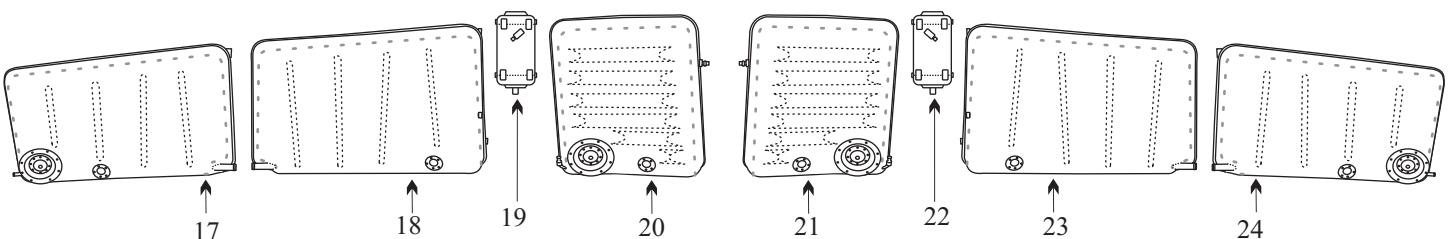
- Inspect riser stacks for cracks at the flange reinforcement doublers, at the weld edges and the flange base. The inspection is more successful if the carbon residue is removed from inside the stack.

☞ Inspect the rear mounting bracket on the muffler for cracks.

Item	Part Number	Description
NS	1551100-23/40	ENGINE MOUNT AFT
NS	J-9613-31	SHOCK MOUNT

## SN 337-001 AND ON EXCLUDING TURBO CHARGED AIRCRAFT

Item	Part Number	Description	Item	Part Number	Description
17	1426003-27	FUEL TANK LEFT HAND OUTBOARD	21	1426005-16	FUEL TANK AUXILIARY RIGHT HAND
18	1426003-19/37	FUEL TANK LEFT HAND INBOARD	22	1426014-2	SUMP TANK ASSY RIGHT HAND
19	1426014-1	SUMP TANK ASSY LEFT HAND	23	1426003-20/38	FUEL TANK RIGHT HAND INBOARD
20	1426005-17	FUEL TANK AUXILIARY LEFT HAND	24	1426003-28	FUEL TANK RIGHT HAND OUTBOARD



- If the aircraft has remained in outdoor storage without fuel in the tanks, check the inside of the tanks for corrosion at the low points. If corrosion is found in one tank, the other tanks may be in the same condition.