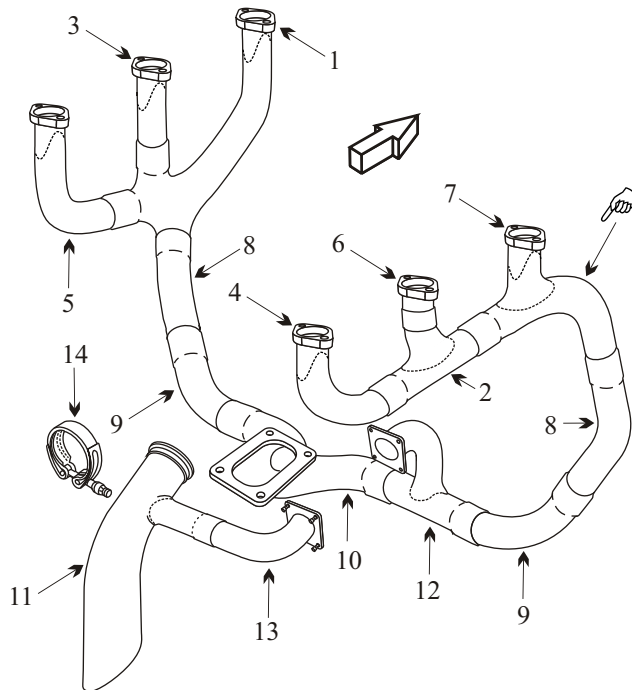


# CESSNA T337H SKYMASTER SN 01816-01951

# CESSNA T337P SKYMASTER SN 3370226-0356

## REAR ENGINE

Item	Part Number	Description
1	1555050-1	COLLECTOR LEFT HAND
2	1555056-1	COLLECTOR RIGHT HAND
3	1555054-1	RISER LEFT HAND CENTER
4	1555055-1	RISER RIGHT HAND REAR
5	1555053-1	RISER LEFT HAND REAR
6	1555054-2	RISER RIGHT HAND CENTER
7	1555049-1	RISER RIGHT HAND FRONT
8	1555047-1	UPPER ELBOW
9	1555048-1	LOWER ELBOW
10	1555051-1	HEADER
11	1555007-15	TAILPIPE ASSY
12	1555052-1	WASTEGATE INLET
13	1555057-1	WASTEGATE OUTLET
14	NH1000897-40	CLAMP TAILPIPE
NS	1550148-2	GASKET WASTEGATE
NS	632888-4	GASKET TURBO INLET
NS	970	GASKET
NS	1554003-1	TAILPIPE
NS	1550157-1	INDUCTION AIR BOX
NS	1555044-38	SUPPORT LOWER TURBO
NS	15550254-1	SUPPORT ASSY TURBO
NS	1555044-5	SUPPORT LEFT HAND AFT TURBO
NS	1555044-7	SUPPORT LEFT HAND FWD TURBO
NS	1555044-32	SUPPORT ASSY TURBO LOWER
NS	1551100-43	ENGINE MOUNT
NS	VARIOUS	SEAT BASE



- Inspect under clamps for corrosion, poor fit or cracks.
- Inspect riser stacks for cracks at the flange reinforcement doublers, at the weld edges and the flange base. The inspection is more successful if the carbon residue is removed from inside the stack.
- Inspect joints for freedom of movement and distortion.
- Inspect tailpipe for thinning and internal corrosion.
- Inspect transition header for cracks

☞ This part has a hot area at the elbow, inspect this area for black flaking metal and or bulges.