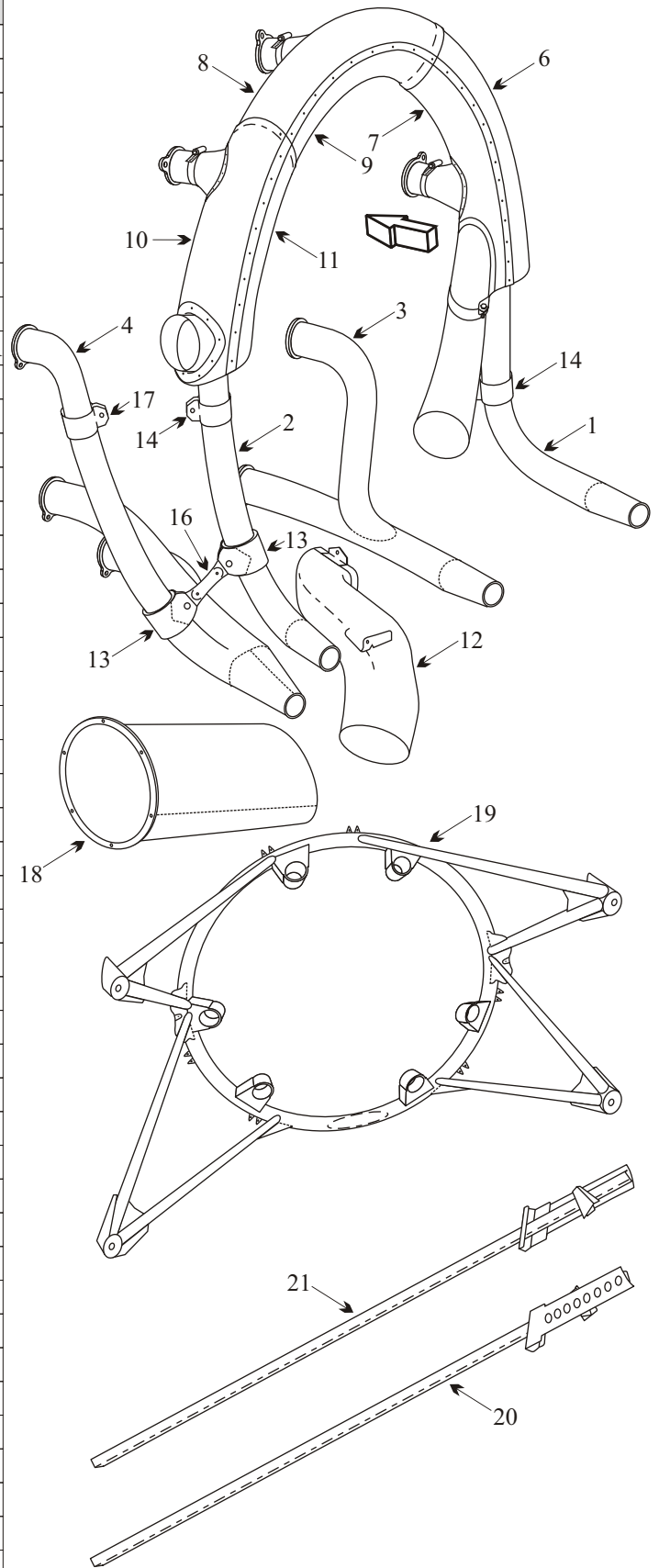


DE HAVILLAND DHC-3 OTTER

Item	Part Number	Description
1	C3EE7-11	EXHAUST PIPE RIGHT HAND UPPER
2	C3EE6-11	EXHAUST PIPE LEFT HAND UPPER
3	C3EE9-11	EXHAUST PIPE RIGHT HAND LOWER
4	C3EE16-17	EXHAUST PIPE LEFT HAND LOWER
5	C3EE29-91	CARB HEAT MUFF ASSY COMPLETE
6	C3E29-87	CARB HEAT MUFF RH OUTER
7	C3E29-89	CARB HEAT MUFF RH INNER
8	C3E29-83	CARB HEAT MUFF MID OUTER
9	C3E29-85	CARB HEAT MUFF MID INNER
10	C3E29-79	CARB HEAT MUFF LEFT HAND OUTER
11	C3E29-81	CARB HEAT MUFF LEFT HAND INNER
12	C3E31-19	DUCT ASSY HOT AIR DUMP
13	C3EE49-3	CLAMP LEFT HAND
14	C3EE21-7	CLAMP RIGHT HAND
15	C3E27-15	DUCT CARB HOT AIR
16	C3EE53-3	SPACER EXHAUST CLAMP
17	C3EE50-3	CLAMP LEFT HAND UPPER
18	20009-1	STACK ASSY VAZAR PT6 CONV.
-	C3E5-7	CARB AIR MIXING BOX
19	C3EM2-15	ENGINE MOUNT
-	C3CF15-7	BELL CRANK ASSY
-	C3CF25-9	BRACKET TORQUE TUBE MOUNTING
-	C3CF39-15	CONTROL ARM ASSY
-	C3CF41-15	LEVER ASSY CONTROL
-	C3CF41-17	LEVER ASSY CONTROL
-	C3EC21-9	SUPPORT ASSY UPPER NOSE TO RING
-	C3EC35-7	SUPPORT ASSY FWD MOUNT TO RING
20	C3FS2-49	STRUT ASSY FWD FUSELAGE LH
21	C3FS2-50	STRUT ASSY FWD FUSELAGE RH
-	C3M27-5	LADDER FLOAT LEFT HAND
-	C3M27-6	LADDER FLOAT RIGHT HAND
-	C3T14-13	TUBE ASSY TORQUE
-	C3UF15-5	STEP ASSY LOWER
-	C3UF50-7	STEP ASSY UPPER
-	C3FF101-7	SEAT SUPPORT GREY LEFT HAND
-	C3FF101-8	SEAT SUPPORT GREY RIGHT HAND
-	C3FF105-5	SEAT SUPPORT ROD GREY
-	C3FF110-6	SEAT SUPPORT ASSY
-	C3FF113-15	SEAT FRAME ASSY GREY LEFT HAND
-	C3FF113-16	SEAT FRAME ASSY GREY RIGHT HAND
-	C3FF114-9	SEAT BACK ASSY
-	C3FF122-19	SEAT BACK ASSY LEFT HAND REAR
-	C3FF122-22	SEAT BACK ASSY RIGHT HAND REAR
-	C3FF310-3	SEAT ADJUSTER HANDLES
-	C3FF95-13	SEAT BASE ASSY LEFT HAND
-	C3FF95-14	SEAT BASE ASSY RIGHT HAND
-	C3FF95-17	SEAT BASE ASSY GREY REAR
-	VARIOUS	AUGMENTOR TUBE PARTS



AD 83-04-05
 Applies to all S/N's
 Inspect lower control column assembly for cracks.
 Inspection required every 100 hrs of operation.