



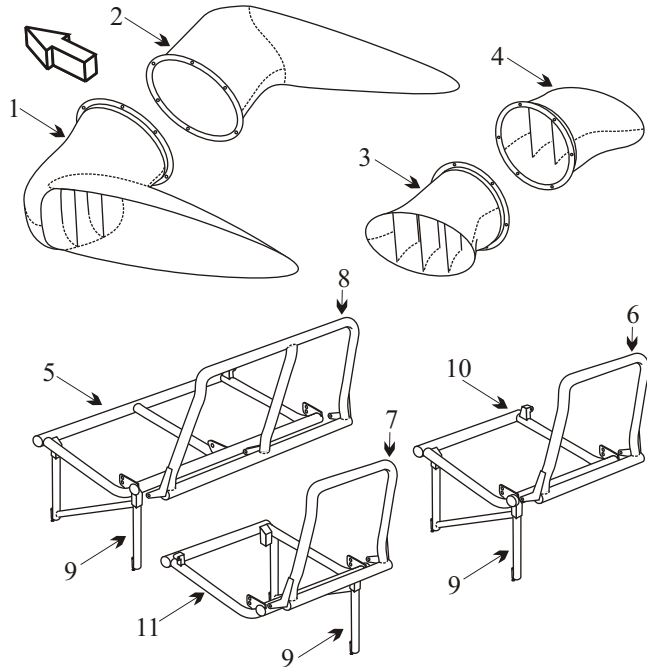
Exhaust Systems Engine Mounts Carb Air Boxes

Shrouds • Seats • Piston • Turbine • Radial • Vintage • And More...



DEHAVILLAND DHC-6-300 WITH PT6A-20/27 P&W ENGINE DEHAVILLAND DHC-6-400 WITH PT6A-34/35 ENGINE

Item	Part Number	Description
1	C6SC1107-1	STACK ASSY LH (-27 ENGINE)
2	C6SC1107-3	STACK ASSY RH (-27 ENGINE)
3	C6SC1092-1	STACK ASSY LH (20 ENGINE)
4	C6SC1092-2	STACK ASSY RH (20 ENGINE)
5	C6FF1866-19	SEAT BASE ASSY DOUBLE
6	C6FF1864-6	SEAT BACK ASSY RIGHT HAND
7	C6FF1864-5	SEAT BACK ASSY LEFT HAND
-	C6FF1572-11	SEAT BOTTOM JUMP SEAT
8	C6FF2290-3	SEAT BACK ASSY DOUBLE
9	C6FF1870-5	SEAT SUPPORT
10	C6FF1584-14	SEAT FRAME RIGHT HAND
11	C6FF1584-13	SEAT FRAME LEFT HAND
-	C6E1027-1	COOLING DUCT
-	C6CF1214-1	LEVER ASSY RIGHT HAND
-	C6CF1214-2	LEVER ASSY RIGHT HAND
-	C6L1021-1	PYLON
-	C6FF2903-7	SEAT BACK ASSY COMMUTER
-	C6FF2903-3	SEAT BACK ASSY COMMUTER
-	C6FF2263-1	SEAT BACK ASSY COMMUTER
-	C6FF2903-79	SEAT BASE ASSY DOUBLE



- Inspect mounting flange at bolt holes for cracks.

(toll free) 1-888-388-8803 1-780-447-5955 Fax: 1-780-447-5980
 sales@acornwelding.com parts@acornwelding.com www.acornwelding.com