



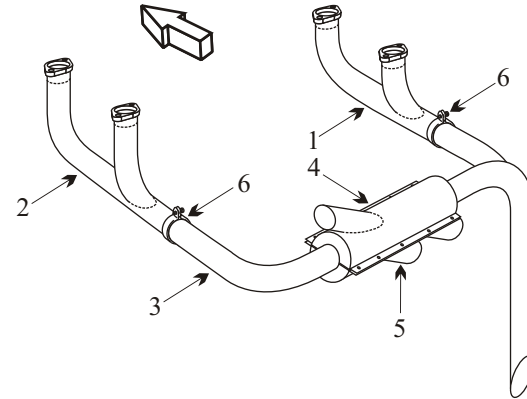
Exhaust Systems Engine Mounts Carb Air Boxes

Shrouds • Seats • Piston • Turbine • Radial • Vintage • And More...



LUSCOMBE 8A

Item	Part Number	Description
1	08627-7	STACK RIGHT HAND
2	08627-3	STACK LEFT HAND
3	08627	EXHAUST PIPE REAR
4	48629	HEATER MUFF UPPER
5	48629-400	HEATER MUFF LOWER
6	AN742-32	CLAMP
-	627429	GASKET



- The stack assembly and flanges are most likely mild steel and not stainless steel. Inspect for thinning and corrosion.

(toll free) 1-888-388-8803 1-780-447-5955 Fax: 1-780-447-5980
sales@acornwelding.com parts@acornwelding.com www.acornwelding.com