



Exhaust Systems Engine Mounts Carb Air Boxes

Shrouds • Seats • Piston • Turbine • Radial • Vintage • And More...

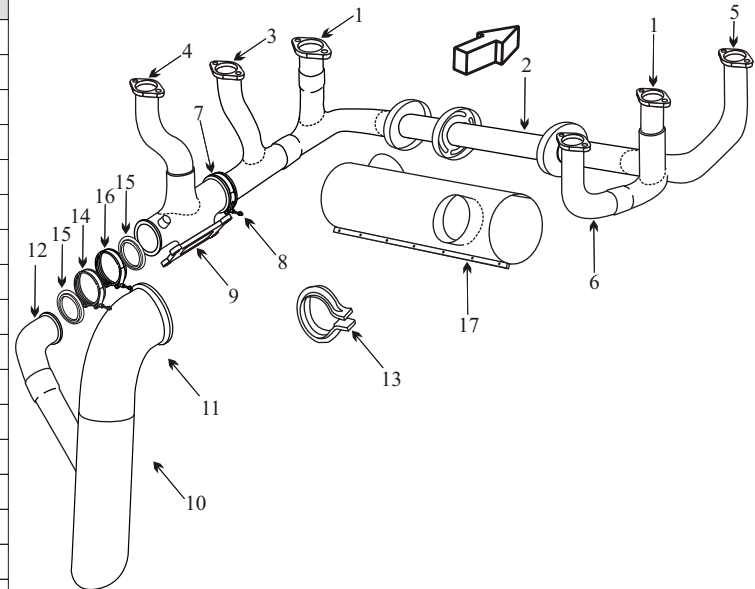


CESSNA T182T SKYLANE

WITH TIO 540 -AKIA ENGINE

SN T18208000 AND ON

Item	Part Number	Description
1	40G22959	PIPE EXHAUST ADAPTER CYL #2 & #3
2	40B22962	PIPE EXHAUST CYL #2
3	40B22964	PIPE EXHAUST CYL #4
4	40B22966	PIPE EXHAUST CYL #6
5	40B22961	PIPE EXHAUST CYL #1 & #3
6	40B22965	PIPE EXHAUST CYL #5
7	40C22960	FLANGE EXHAUST TRANSITION
8	40D23026	COUPLING, V-BAND
9	47C22923	TRANSITION EXHAUST
10	0750644-5	EXHAUST OUTLET
11	0750644-1	EXHAUST STACK ASSY
12	0750644-8	BYPASS ASSY
13?	S1921-2	COUPLING TAILPIPE
14	40D22382	COUPLING WASTEGATE (S3262-6)
15	75845	GASKET WASTEGATE
16	40D22383	CLAMP TRANSITION TO WASTEGATE
17	0754000-11	SHROUD <small>SN 08001 08185</small>
NS	0754000-14	SHROUD <small>SN 08186 and on</small>
NS	78084	GASKET V-BAND COUPLING
NS	77611	GASKET
NS	2251000-28	ENGINE MOUNT
NS	J-23668-1	SHOCK MOUNT
NS	0514214-29	SEAT FRAME BOTTOM



- Inspect muffler for blisters or bulges under heat shroud.
- Inspect tailpipes for internal pitting and wall thickness especially at the outside radius which is the thin section and at support bracket.
- Inspect joints for freedom of movement and distortion.

(toll free) 1-888-388-8803 1-780-447-5955 Fax: 1-780-447-5980
 sales@acornwelding.com parts@acornwelding.com www.acornwelding.com