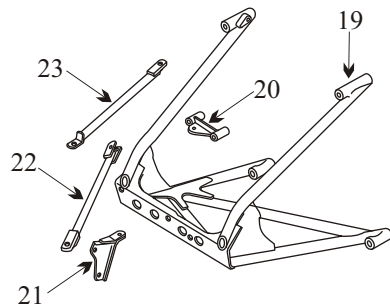
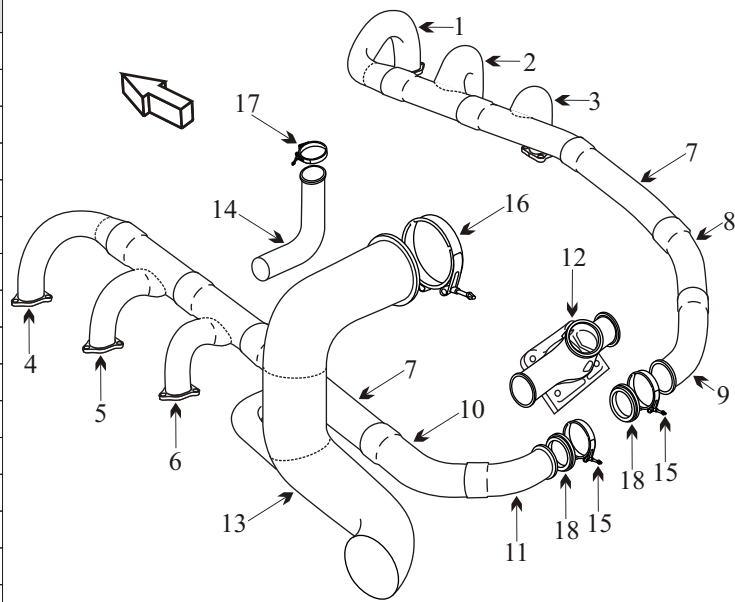


# TWIN COMMANDER 700

TIO 540-R2AD LYCOMING ENGINE

Item	Part Number	Description
1	LW10159	RISER RIGHT HAND FRONT CYL #1
2	LW10160	RISER RIGHT HAND CENTER CYL #3
3	LW10161	RISER RIGHT HAND REAR CYL #5
4	LW10164	RISER LEFT HAND FRONT CYL #2
5	LW10163	RISER LEFT HAND CENTER CYL #4
6	LW10162	RISER LEFT HAND REAR CYL #6
7	LW15849	PIPE EXHAUST FWD
8	LW16621	PIPE RIGHT HAND CENTER
9	LW16620	PIPE RIGHT HAND AFT
10	LW16696	PIPE LEFT HAND CENTER
11	LW16697	PIPE LEFT HAND AFT
12	LW12437	TRANSITION
13	300-950009-21	TAILPIPE
14	300-950012-1	WASTEGATE PIPE
15	LW12093-5	CLAMP
16	MV83152TJ472V	CLAMP TAILPIPE
NS	24096-225N	GASKET WASTEGATE
17	LW12093-6	CLAMP
18	78083	GASKET
19	LW-18302	BRACKET TURBO MOUNT
20	LW-18459	BRACKET TURBO SUPPORT ROD
21	LW-12435	BRACKET TURBO SUPPORT TOP
22	LW-16965	ROD TURBO SUPPORT LEFT
23	LW-18248	ROD TURBO SUPPORT RIGHT



- Inspect joints for freedom of movement and distortion.
- Inspect tailpipe for thinning and internal corrosion
- Inspect transition header for cracks