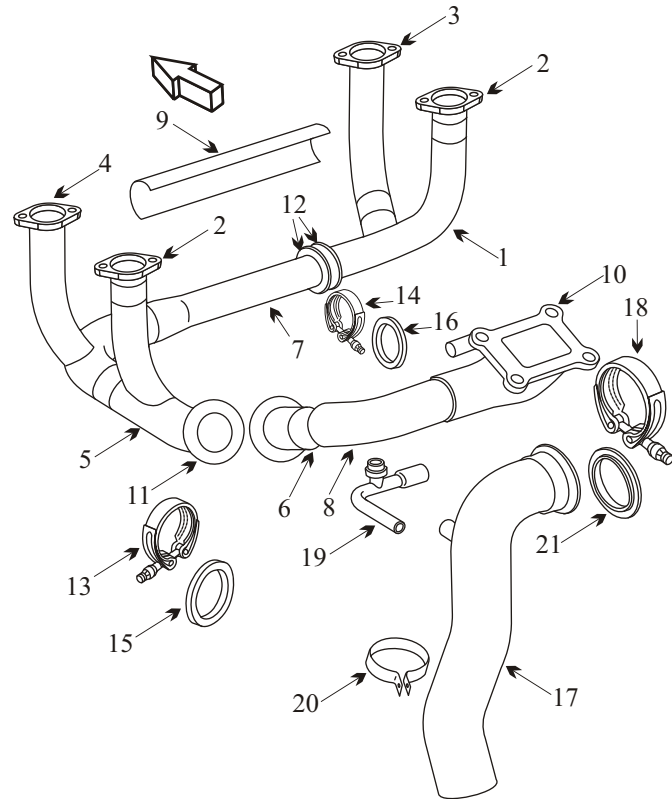


# PIPER PA-44-180 TURBO

Item	Part Number	Description
1	LW-16381	EXHAUST PIPE CYL #1 & 3
2	LW-16383	EXHAUST PIPE ADAPTER CYL #3 & #4 RR & LR
3	LW-16384	EXHAUST PIPE ADAPTER RF CYL #1
4	LW-16386	EXHAUST PIPE LF CYL #2
5	LW-16387	EXHAUST PIPE CYL #4
6	LW-16380	EXHAUST PIPE LH INTERMEDIATE
7	LW-16382	EXHAUST PIPE CROSSOVER
8	LW-16385	EXHAUST PIPE REAR LEFT
9	LW-16406	HEAT SHIELD
10	LW-16399	TRANSITION
11	78077	FLANGE V-BAND
12	78082	FLANGE V-BAND
13	LW-12093-5	COUPLING V-BAND LEFT HAND SIDE
14	LW-12093-4	COUPLING V-BAND CROSSOVER
15	78084	GASKET V-BAND LEFT HAND SIDE
16	78257	GASKET V-BAND CROSSOVER
17	LW-16393	TAILPIPE
18	LW12093-8	COUPLING TAILPIPE
19	LW-16615	TURBO BYPASS
20	LW-16705	TAILPIPE SUPPORT CLAMP
21		GASKET TAILPIPE
NS	77611	GASKET
NS	LW-16395	BRACKET TURBO MOUNT
NS	LW-16415	STRUT TURBO SUPPORT
NS	LW-16688	SUPPORT EXHAUST TAILPIPE
NS	86212-02	ENGINE MOUNT
NS	J-9613-40	SHOCK MOUNT
NS	VARIOUS	SEAT BASE



- Inspect joints for freedom of movement and distortion.
- Slip fit stacks should be ordered as a complete assembly to ensure good joint integrity with smooth slip fits.
- Inspect flow divider in tail pipe.
- This muffler has Inconel flame tubes