



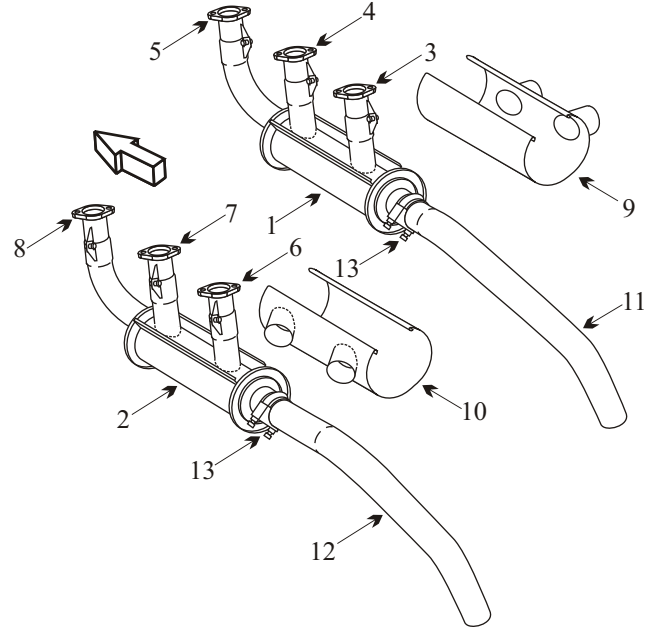
# Exhaust Systems Engine Mounts Carb Air Boxes

Shrouds • Seats • Piston • Turbine • Radial • Vintage • And More...



## MAULE M4/M5 WITH CONTINENTAL IO360A DUAL EXHAUST

| Item | Part Number | Description                    |
|------|-------------|--------------------------------|
| 1    |             | MUFFLER RIGHT HAND             |
| 2    |             | MUFFLER LEFT HAND              |
| 3    |             | RISER RIGHT HAND REAR CYL #1   |
| 4    |             | RISER RIGHT HAND CENTER CYL #3 |
| 5    |             | RISER RIGHT HAND FRONT CYL #5  |
| 6    |             | RISER LEFT HAND REAR CYL #2    |
| 7    |             | RISER LEFT HAND CENTER CYL #4  |
| 8    |             | RISER LEFT HAND FRONT CYL #6   |
| 9    |             | SHROUD RIGHT HAND              |
| 10   |             | SHROUD LEFT HAND               |
| 11   |             | TAILPIPE RIGHT HAND            |
| 12   |             | TAILPIPE LEFT HAND             |
| 13   |             | CLAMP                          |
| -    | 5160        | ENGINE MOUNT                   |
| -    | 970         | GASKET                         |



- Inspect flanges for corrosion as they could be mild steel not stainless steel.

- Inspect muffler for blisters or bulges under heat shroud.
- Inspect area where shroud attach brackets are welded to muffler.

(toll free) 1-888-388-8803 1-780-447-5955 Fax: 1-780-447-5980  
 sales@acornwelding.com parts@acornwelding.com www.acornwelding.com