



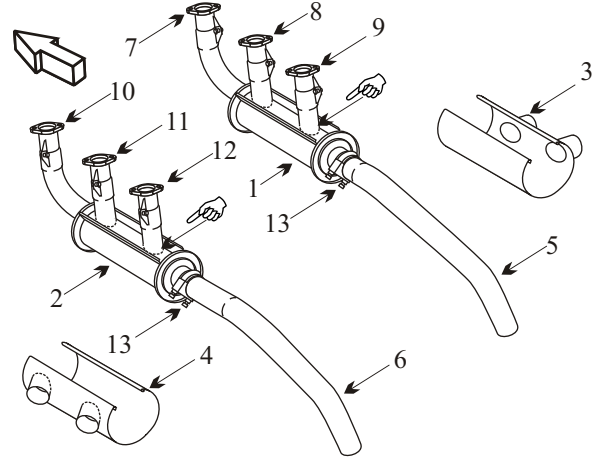
Exhaust Systems Engine Mounts Carb Air Boxes

Shrouds • Seats • Piston • Turbine • Radial • Vintage • And More...



MAULE M5/M6/M7/M8 WITH LYCOMING O540 ENGINE

Item	Part Number	Description
1	5259	MUFFLER RIGHT HAND
2	5258	MUFFLER LEFT HAND
3	5572	SHROUD RIGHT HAND
4	5576	SHROUD LEFT HAND
5	5574	TAILPIPE RIGHT HAND
6	5578	TAILPIPE LEFT HAND
7	5294-9	RISER RIGHT HAND FRONT CYL #1
8	5294-1	RISER RIGHT HAND CENTER CYL #3
9	5294-11	RISER RIGHT HAND REAR CYL #5
10	5294-3	RISER LEFT HAND FRONT CYL #2
11	5294-2	RISER LEFT HAND CENTER CYL #4
12	5294-12	RISER LEFT HAND REAR CYL #6
13		CLAMP
-	5286	CARB AIR BOX (M5)
-	5395-12	CARB AIR BOX (M6/M7)
-	5251-2	ENGINE MOUNT



- Inspect area where shroud attach brackets are welded to muffler.
 - Inspect muffler for blisters or bulges under heat shroud.
 - Inspect flanges for corrosion as they could be mild steel not stainless steel.
- ☞ Inspect the area where riser attaches to the body of the muffler for cracks.

(toll free) 1-888-388-8803 1-780-447-5955 Fax: 1-780-447-5980
 sales@acornwelding.com parts@acornwelding.com www.acornwelding.com