



# Exhaust Systems Engine Mounts Carb Air Boxes

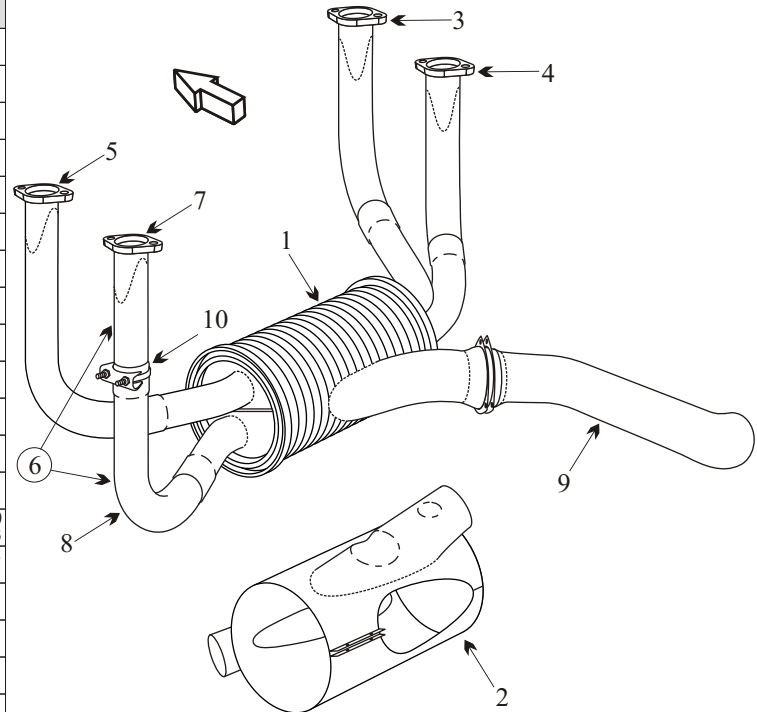
Shrouds • Seats • Piston • Turbine • Radial • Vintage • And More...



## MOONEY M-20E/M-20F/M-20J

WITH LYCOMING IO 360 ENGINE, SLIP JOINT RIBBED MUFFLER TYPE

Item	Part Number	Description
1	630045-503	MUFFLER
2	630057-000	SHROUD
3	630053-511	STACK RIGHT FRONT CYL #1
4	630053-507	STACK RIGHT REAR CYL #3
5	630053-509	STACK LEFT FRONT CYL #2
6	630053-513	STACK ASSY LEFT REAR CYL #4
7	630053-013	STACK UPPER LEFT REAR CYL #4
8	630053-015	STACK LOWER LEFT REAR CYL #4
9	630119-501	TAILPIPE
10	C10X-30C	STACK CLAMP
10	C10Y-30-6C	STACK CLAMP
-	77611	GASKET
-	011-254	SPRING KIT TAILPIPE
-	600355-501	INDUCTION AIR BOX SN <sup>24-0001</sup> <sub>1685</sub> SN <sup>24-3000</sup> <sub>3153</sub>
-	600355-503	INDUCTION AIR BOX SN <sup>24-1686</sup> <sub>24-2999</sub> SN <sup>24-3154</sup> <sub>3431</sub>
-	590000-517	ENGINE MOUNT SN <sup>24-001</sup> <sub>1706</sub>
-	590000-521	ENGINE MOUNT SN <sup>24-3000</sup> <sub>3217</sub>
-	590000-525	ENGINE MOUNT SN <sup>24-3218</sup> <sub>3431</sub> to
-	590000-901	ENGINE MOUNT
-	J-9613-40	SHOCK MOUNT



- Inner flame tubes must be attached for the muffler to be serviceable.
- Inspect riser stacks for cracks at the flange reinforcement doublers, at the weld edges and the flange base. The inspection is more successful if the carbon residue is removed from inside the stack.

### AD 95-26-16 R1

Applies to S/N's 24-0001 thru 24-3250 and 24-3252 Thru 24-3374.

Inspection of alternate air door assy for presence/condition of cotter pin required every 10 hrs of operation.

(toll free) 1-888-388-8803 1-780-447-5955 Fax: 1-780-447-5980  
 sales@acornwelding.com parts@acornwelding.com www.acornwelding.com