



Exhaust Systems Engine Mounts Carb Air Boxes

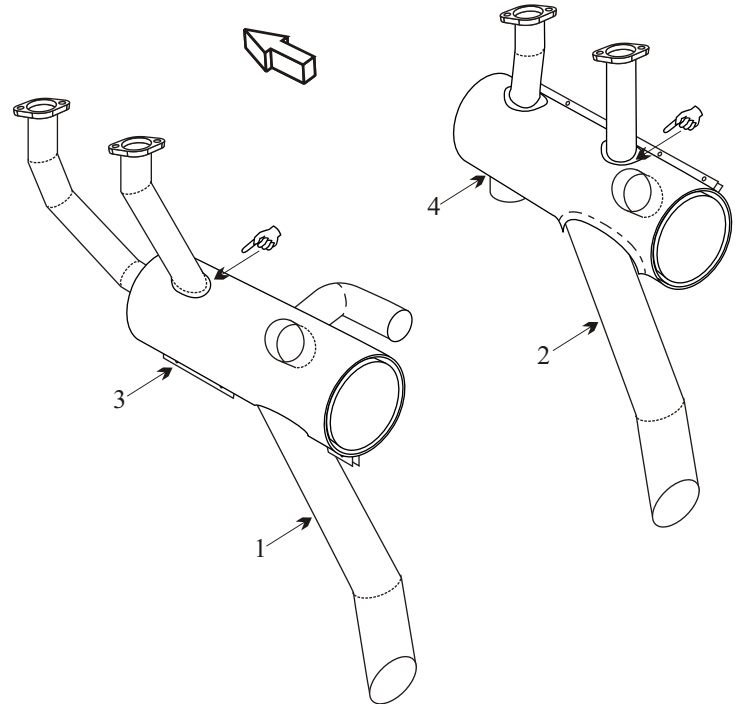
Shrouds • Seats • Piston • Turbine • Radial • Vintage • And More...



FLEET 80 CANUCK

Item	Part Number	Description
1	80-5191-201	MUFFLER ASSY LEFT HAND
2	80-5191-101	MUFFLER ASSY RIGHT HAND
3	80-5170-300	SHROUD CABIN HEAT
4	80-5170-400	SHROUD CARB HEAT
-	627429	GASKET
-	80-6111L	LEFT HAND STRUT
-	80-6111R	RIGHT HAND STRUT
-		ENGINE MOUNT

- Inner flame tubes must be attached for the muffler to be serviceable.
 - Inspect flanges for corrosion as they could be mild steel not stainless steel.
- ☞ Inspect the area where muffler and riser attaches to the can of the muffler for cracks.



(toll free) 1-888-388-8803 1-780-447-5955 Fax: 1-780-447-5980
 sales@acornwelding.com parts@acornwelding.com www.acornwelding.com