



Exhaust Systems Engine Mounts Carb Air Boxes

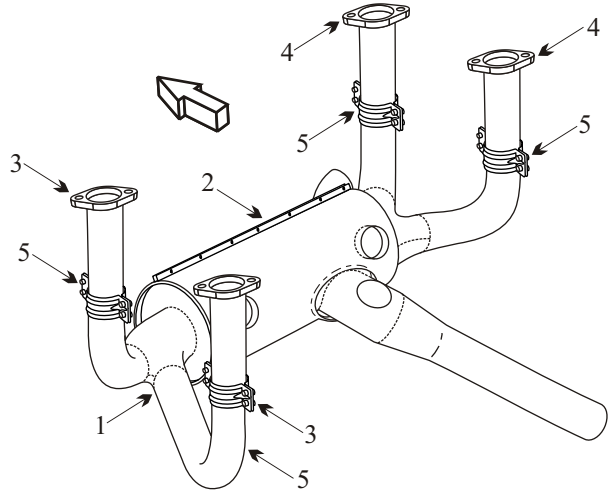
Shrouds • Seats • Piston • Turbine • Radial • Vintage • And More...



ROCKWELL COMMANDER 1 1 2/1 1 2B

WITH LYCOMING IO 360 ENGINE

Item	Part Number	Description
1 & 2	099001-027	MUFFLER & SHROUD
1	099005-142	MUFFLER
1	099001-249	MUFFLER
2	099001-143	SHROUD
3	099001-160	RISER LEFT HAND
4	099001-156	RISER RIGHT HAND
5	099005-401	CLAMP HALF
-	77611	GASKET
-	46348-3	INDUCTION AIR BOX 112
-	615067-1	INDUCTION AIR BOX
-	615067-501	INDUCTION AIR BOX
-	46309-1	ENGINE MOUNT 112
-	46309-501	ENGINE MOUNT 112B
-	J-9613-40	SHOCK MOUNT 2 REQ
-	J-9613-53	SHOCK MOUNT 2 REQ



● Inspect muffler for blisters or bulges under heat shroud.

● Inner flame tubes must be attached for the muffler to be serviceable.

● Muffler Must have Blockage Preventer and reinforced ends installed to remain serviceable

(toll free) 1-888-388-8803 1-780-447-5955 Fax: 1-780-447-5980
 sales@acornwelding.com parts@acornwelding.com www.acornwelding.com