



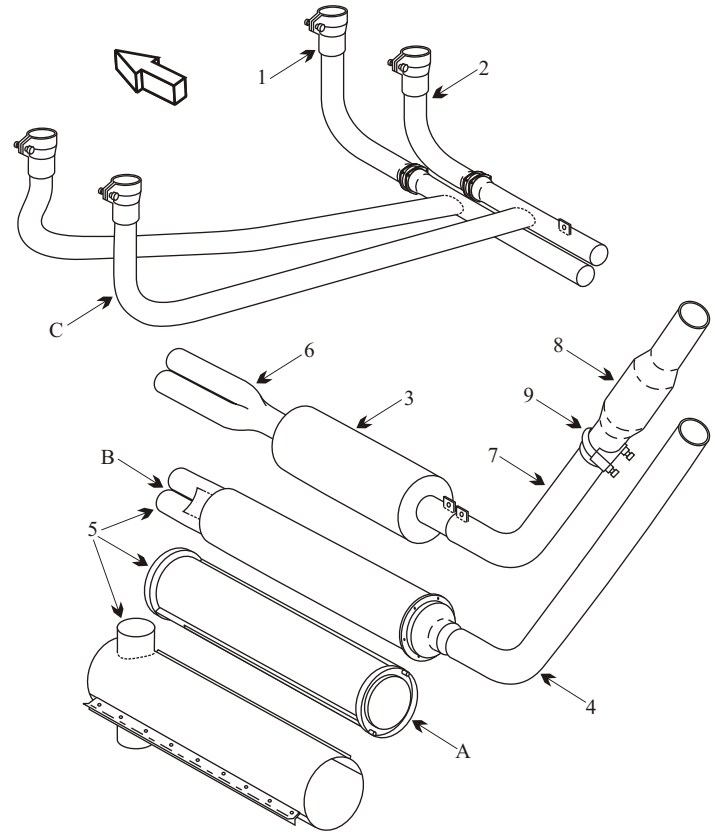
Exhaust Systems Engine Mounts Carb Air Boxes

Shrouds • Seats • Piston • Turbine • Radial • Vintage • And More...



SCHWEIZER HELICOPTER MODEL 269 (VERSION 1)

Item	Part Number	Description
1	269A8205-61	MANIFOLD ASSY
2	269A8206-61	MANIFOLD ASSY
3	269A8241-3	MANIFOLD ASSY (INCLUDES COLLECTOR)
3	269A4393-3	MANIFOLD ASSY (INCLUDES COLLECTOR)
4	269A8650-015	MUFFLER ASSY
5	269A4451-111	MUFFLER ASSY COMPLETE
6	269A8227	COLLECTOR ASSY
6	269A8247-5	COLLECTOR ASSY
7	269A8242	TAILPIPE TUBE BEND
8	269A8809-1	TAILPIPE RESONATOR
9		CLAMP



- This muffler is a three piece unit
- A** Check for leaks on middle section at the end shroud rings, and inspect the longitudinal weld joint for cracks and leaks
- B** Cracks seem to start at the bracket
- C** Internal inspection required on this Inconel system to detect inner corrosion. Inconel does not give the same signs as stainless steel by blackening, bulging or scaling. It corrodes and pits from the inside or at the weld joints leaving a potential unseen failure

(toll free) 1-888-388-8803 1-780-447-5955 Fax: 1-780-447-5980
 sales@acornwelding.com parts@acornwelding.com www.acornwelding.com