



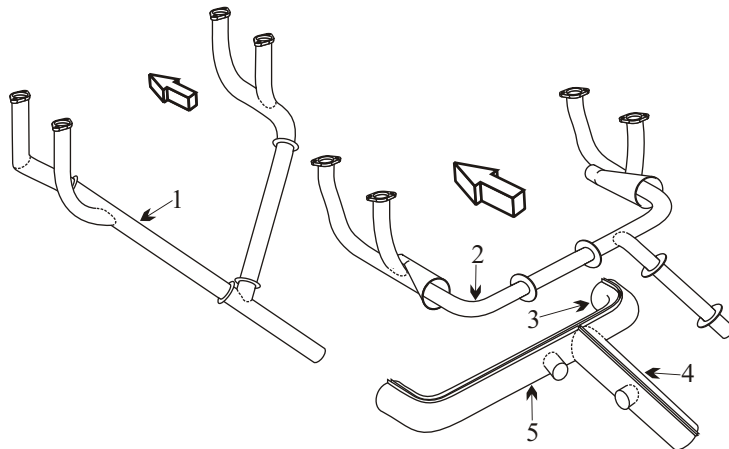
Exhaust Systems Engine Mounts Carb Air Boxes

Shrouds • Seats • Piston • Turbine • Radial • Vintage • And More...



TAYLORCRAFT BC 1 2 & B-BC 1 2

Item	Part Number	Description	BC 1 2
1	UNKNOWN	STACK ASSY COMPLETE	
-	UNKNOWN	SHROUD ASSY LEFT HAND	
-	UNKNOWN	SHROUD ASSY RIGHT HAND	
Item	Part Number	Description	B-BC 1 2
2	BC-A6031	EXHAUST MANIFOLD ASSY	
3	BC-A692	UPPER MUFF	
4	BC-A691	LOWER MUFF RIGHT HAND	
5	BC-A690	LOWER MUFF LEFT HAND	
-	BC-A157	ENGINE MOUNT	
-	632837	GASKET	



- The stack assembly and flanges are most likely mild steel and not stainless steel. Inspect for thinning and corrosion.

(toll free) 1-888-388-8803 1-780-447-5955 Fax: 1-780-447-5980
sales@acornwelding.com parts@acornwelding.com www.acornwelding.com