



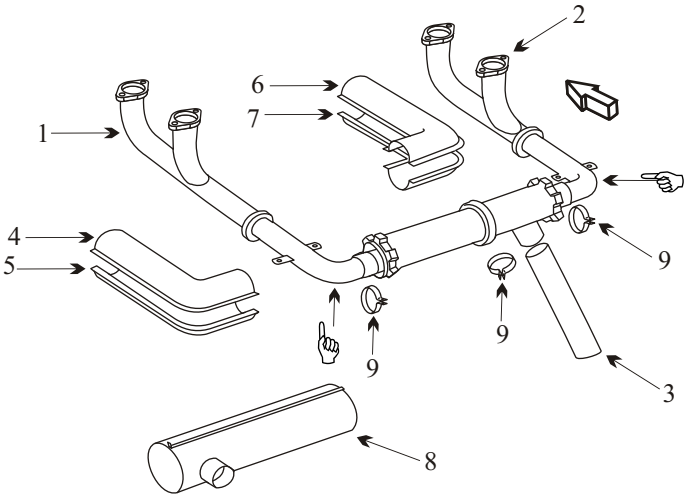
Exhaust Systems Engine Mounts Carb Air Boxes

Shrouds • Seats • Piston • Turbine • Radial • Vintage • And More...



PIPER PA-1 1/PA-18 WITH CONTINENTAL C-90 ENGINE AND C-85 CONVERSIONS

Item	Part Number	Description
1	12232-000	STACK LEFT HAND & MUFFLER ASSY
2	12233-000	STACK RIGHT HAND
3	10863-000	TAILPIPE
4	10764-000	UPPER SHROUD LEFT HAND
5	10843-000	LOWER SHROUD LEFT HAND
6	10845-000	UPPER SHROUD RIGHT HAND
7	10846-000	LOWER SHROUD RIGHT HAND
8	10762-000	MUFFLER SHROUD
9	7059-02	CLAMP MUFFLER TAILPIPE & STACK
-	627429	GASKET
-	10576-000	ENGINE MOUNT PA-11
-	12209-000	ENGINE MOUNT PA-18
-	10849-000	FUEL TANK LEFT HAND
-	10849-025	FUEL TANK RIGHT HAND
-	15087-004	CARB AIR BOX



AD 68-05-01

Inspect exhaust system for cracks, corrosion, heat damage or weld separations.
 Less than 950 hrs of operation inspect every 100 hrs.
 More than 950 hrs of operation inspect every 50 hrs.
 Repair or replace if defects found.

- The muffler must have inner flame tubes still attached to be serviceable.
 - Inspect wear areas on the aluminum shroud at shroud ring areas.
 - Inspect the Y-joint at the aft cylinder stack for cracks.
- ☞ This part has a hot area at the elbow. Inspect this area for black flaking metal and bulges.

(toll free) 1-888-388-8803 1-780-447-5955 Fax: 1-780-447-5980
 sales@acornwelding.com parts@acornwelding.com www.acornwelding.com