



# Exhaust Systems Engine Mounts Carb Air Boxes

Shrouds • Seats • Piston • Turbine • Radial • Vintage • And More...



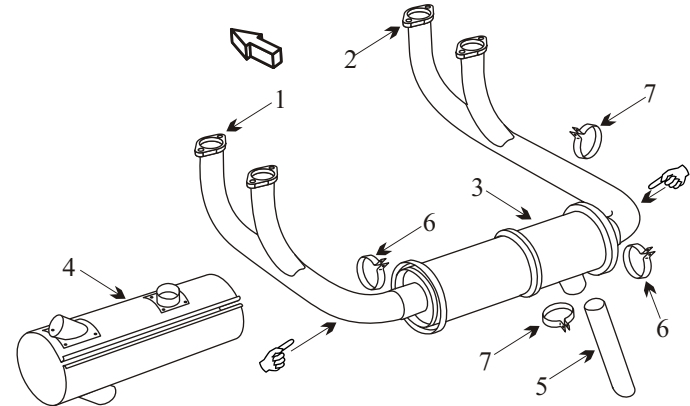
## PIPER PA-12/14/15/16/17

WITH LYCOMING O235 ENGINE

Item	Part Number	Description
1	10427-000	STACK ASSY LEFT HAND
2	10428-000	STACK ASSY RIGHT HAND
3	10308-000	MUFFLER ASSY
4	10431-000	SHROUD
5	10429-000	TAILPIPE <small>SN 12-001 12-353</small>
-	10430-000	SHROUD CLIP
-	10863-000	TAILPIPE <small>SN 12-342 and 12-354 on</small>
6	70591-002	CLAMP MUFFLER 2 REQ
7	80002-028	CLAMP TAILPIPE SUPPORT 2 REQ
-	10303-000	CARB AIR BOX ASSY
-	10070-000	ENGINE MOUNT
-	77611	GASKET

### AD 68-05-01

Inspect exhaust system for cracks, corrosion, heat damage or weld separations.  
 Less than 950 hrs of operation inspect every 100 hrs.  
 More than 950 hrs of operation inspect every 50 hrs.  
 Repair or replace if defects found.



- The muffler must have inner flame tubes still attached to be serviceable.
- Inspect wear areas on the aluminum shroud at shroud ring areas.
- Inspect the Y-joint at the aft cylinder stack for cracks.
- ☞ This part has a hot area at the elbow. Inspect this area for black flaking metal and bulges.

(toll free) 1-888-388-8803 1-780-447-5955 Fax: 1-780-447-5980  
 sales@acornwelding.com parts@acornwelding.com www.acornwelding.com