



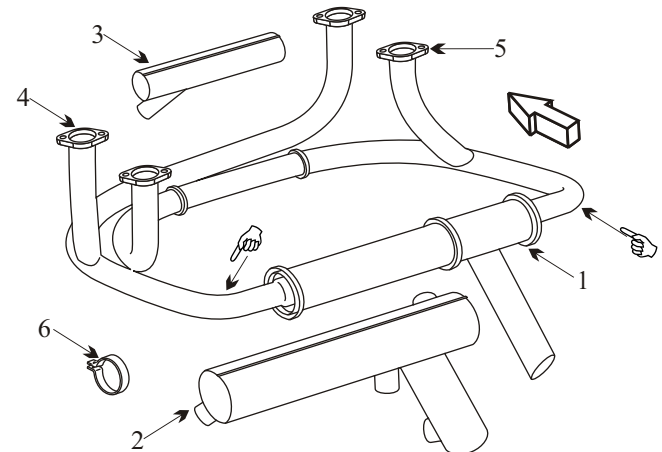
Exhaust Systems Engine Mounts Carb Air Boxes

Shrouds • Seats • Piston • Turbine • Radial • Vintage • And More...



PIPER PA-18 SUPER CUB

Item	Part Number	Description	Code
1	12433-014	MUFFLER	
2	12436-000	MUFFLER SHROUD	A
2	12436-010	MUFFLER SHROUD	B
3	14239-000	CROSSOVER SHROUD	
4	12457-012	STACK FRONT	F
-	12457-002	STACK FRONT	G
5	12457-013	STACK REAR	F
-	12457-003	STACK REAR	G
6	14235-000	MUFFLER CLAMP 2 REQUIRED	
-	77611	GASKET	
-	71261-005	SHROUD CLIP MUFFLER	
-	71261-007	SHROUD CLIP CARB HEAT	
-	11950-007	CARB AIR BOX ASSY SN ¹⁸⁻¹ ₃₀₁₃	A
-	14253-002	CARB AIR BOX ASSY SN ³⁰¹⁴ _{and on}	C
-	14253-005	CARB AIR BOX ASSY SN ³⁷⁷¹ _{6963 SEA}	B, E
-	15005-000	CARB AIR BOX ASSY SN ⁶⁹⁶⁴ _{and on}	
-	12351-011	ENGINE MOUNT	H
-	12351-015	ENGINE MOUNT	B
-	VARIOUS	SEAT BASE & COMPONENTS	
-	18049-034	FUEL TANK LEFT HAND	
-	18049-043	FUEL TANK RIGHT HAND	
-	60763-002	FUEL TANK HEADER FRONT	
-	12837-000	FUEL TANK HEADER REAR SN ¹⁸⁻¹ ₃₀₁₃	
-	14211-000	FUEL TANK HEADER REAR SN ³⁰¹⁴ _{and on}	



Usable on Codes

- A: 105HP, 125HP, 135HP
- B: 150HP, 180HP
- C: 135HP, 125HP with floats
- D: Seaplanes Only
- E: Use PN 15005-000 if kit #754-223 installed
- F: 125HP, 135HP, 150HP
- G: 150HP
- H: 125HP
- I: 105HP, 135HP, 150HP

- The muffler must have inner flame tubes still attached to be serviceable.
- Inspect wear areas on the aluminum shroud at shroud ring areas.
- Inspect the Y-joint at the aft cylinder stack for cracks.
- ☞ This part has a hot area at the elbow. Inspect this area for black flaking metal and bulges.

AD 68-05-01

Inspect exhaust system for cracks, corrosion, heat damage or weld separations.

Less than 950 hrs of operation inspect every 100 hrs.

More than 950 hrs of operation inspect every 50 hrs.

Repair or replace if defects found.

(toll free) 1-888-388-8803 1-780-447-5955 Fax: 1-780-447-5980
 sales@acornwelding.com parts@acornwelding.com www.acornwelding.com