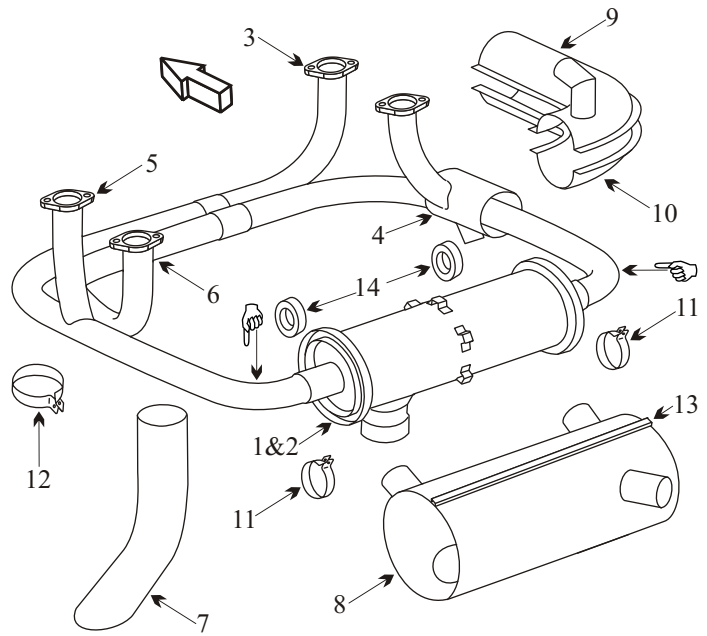


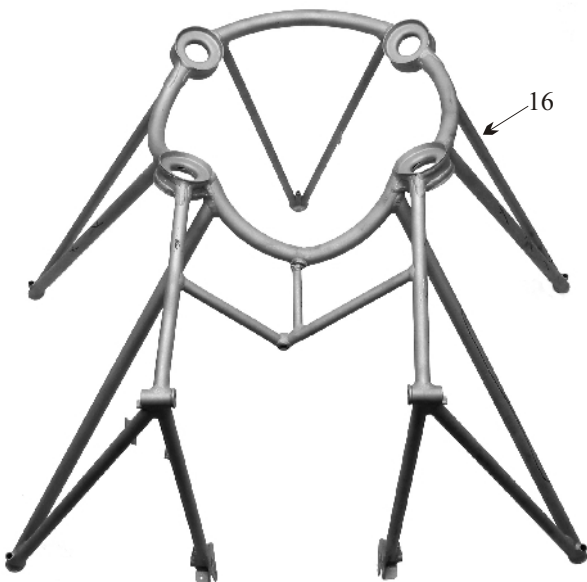
PIPER PA-24-180 COMANCHE

Item	Part Number	Description
1	22594-002	MUFFLER 2" ID INLETS
2	24506-000	MUFFLER 1 1/2" ID INLETS
3	21092-010	STACK RIGHT FRONT SN ²⁴⁻¹ _{to 279}
3	21092-014	STACK RIGHT FRONT SN ²⁴⁻²⁸⁰ _{and on}
4	21092-008	STACK RIGHT REAR 2" SN ²⁴⁻¹ ₁₄₇₆
4	21092-017	STACK RIGHT REAR 3" SN ²⁴⁻¹⁴⁷⁷ _{and on}
5	21092-011	STACK LEFT FRONT SN ²⁴⁻¹ _{to 279}
5	21092-015	STACK LEFT FRONT SN ²⁴⁻²⁸⁰ _{and on}
6	21092-009	STACK LEFT REAR
7	21580-002	TAILPIPE
8	23503-000	SHROUD SN ²⁴⁻¹ ₂₄₋₁₀₂
8	23504-000	SHROUD SN ^{24-103 to 2174} _{2176 to 2298}
8	23507-000	SHROUD Post SB 210 SN ²⁴⁻²¹⁷⁵ _{2299 and on}
9	21165-002	CARB HEAT TOP SN ^{24-1 to 24-2174} _{2176 to 2298}
-	22093-000	CARB HEAT TOP SN ²⁴⁻²¹⁷⁵ _{24-2299 and on}
10	21165-003	CARB HEAT BOTTOM
11	14235-008	CLAMP MUFFLER
12	21167-000	CLAMP ASSY TAILPIPE
13	21247-000	CLIP ASSY SHROUD
14	25017-000	BUSHING ASSY MUFFLER ADAPTER
-	77611	GASKET
-	21224-000	CARB AIR BOX ASSY SN ²⁴⁻¹ ₁₄₇₆
-	21943-000	CARB AIR BOX ASSY SN ²⁴⁻¹⁴⁷⁷ ₂₄₀₆
15	21943-003	CARB AIR BOX ASSY SN ²⁴⁻²⁴⁰⁷ _{and on}
-	21943-005	CARB AIR BOX ASSY SB 420A
-	20796-000	ENGINE MOUNT SN ²⁴⁻¹ ₁₀₂
-	20796-041	ENGINE MOUNT SN ²⁴⁻¹⁰³ ₂₈₇
16	20796-042	ENGINE MOUNT SN ²⁴⁻²⁸⁸ ₁₄₇₆
-	21958-000	ENGINE MOUNT SN ²⁴⁻¹⁴⁷⁷ ₂₂₀₁
-	21958-015	ENGINE MOUNT SN ²⁴⁻²²⁰² ₂₂₉₈
-	21958-021	ENGINE MOUNT SN ^{24-2299 to 2562} _{2564 to 2587}
-	21958-022	ENGINE MOUNT SN ^{24-2563, 24-2588} _{and on}
-	VARIOUS	SEAT BASE
-	J-7402-5	SHOCK MOUNT



- Inspect the Y-joint at the aft cylinder stack for cracks.
- Inspect under the attached carburetor heat support can for blisters and cracks.
- Inspect joints for freedom of movement and distortion.
- Inspect wear areas on the aluminum shroud at shroud ring areas.
- This muffler does not require flame tubes or cones.
- Inspect tail pipes for internal pitting and wall thickness especially at the outside radius, which is the thin section, and at support bracket.

☞ This part has a hot area at the elbow. Inspect this area for black flaking metal and bulges.



AD 68-05-01
Inspect exhaust system for cracks, corrosion, heat damage or weld separations.
Less than 950 hrs of operation inspect every 100 hrs.
More than 950 hrs of operation inspect every 50 hrs.
Repair or replace if defects found.

