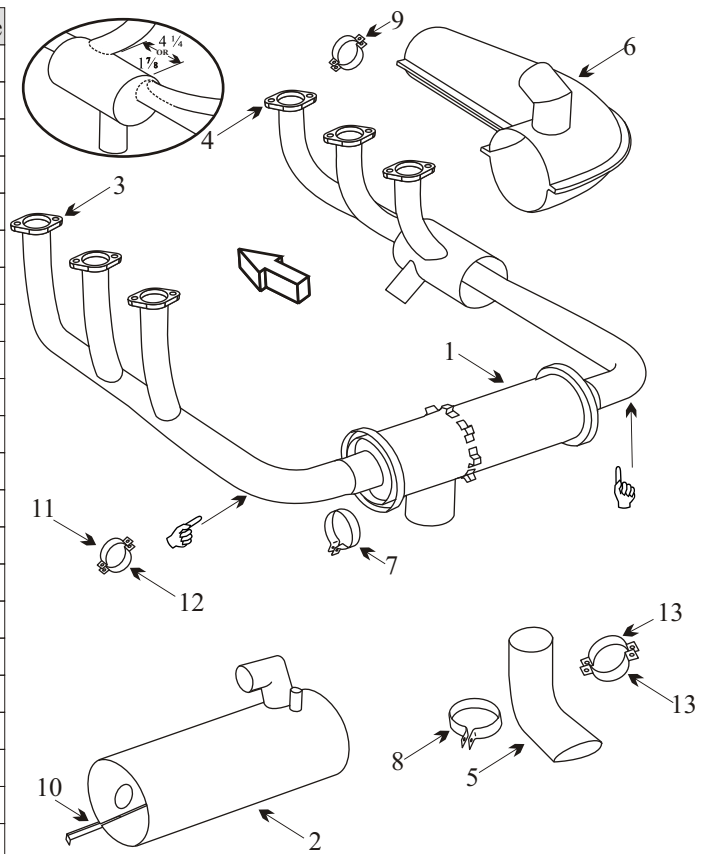


PIPER PA-24-250 COMANCHE

Item	Part Number	Description	Code
1	26385-000	MUFFLER	
1	21678-003	MUFFLER	
1	21678-006	MUFFLER	
2	23504-000	SHROUD	A
2	23489-000	SHROUD SB 210 Compliant	B
3	21664-002	STACK LEFT HAND	
4	21664-003/019	STACK RIGHT HAND 1 7/8" SB 202	F
4	23537-002	STACK RIGHT HAND 4 1/4"	F
-	23537-003	STACK RIGHT HAND FUEL INJECTION	
5	21580-000	TAILPIPE	
6	756-778	CARB HEAT UPPER & LOWER	C
6	756-777	CARB HEAT UPPER & LOWER	D
7	14235-008	CLAMP MUFFLER	
8	21167-000	CLAMP TAILPIPE	
9	24474-000	CLAMP EXHAUST STACK SHROUD	
10	21247-000	SHROUD CLIP	
11	21685-004	CLAMP TAILPIPE BRACE OUTBOARD	
12	21685-002	CLAMP TAILPIPE BRACE INBOARD	
13	21686-002	CLAMP TAILPIPE BRACE	
-	77611	GASKET	
-	23114-000	INDUCTION AIR BOX SL 397	
-	21497-000	ENGINE MOUNT SN ²⁴⁻¹⁰³ ₂₂₀₁	
-	21497-033	ENGINE MOUNT SN ²⁴⁻²²⁰² ₂₂₉₈	
-	21497-036	ENGINE MOUNT SN ^{24-2299 to 2562} _{24-2564 to 2587}	E
-	21497-038	ENGINE MOUNT SN ²⁴⁻²⁵⁶³ _{24-2563 and on}	
-	J-3804-20	SHOCK MOUNT	
-	VARIOUS	SEAT BASE	



AD 68-05-01

Inspect exhaust system for cracks, corrosion, heat damage or weld separations.
Less than 950 hrs of operation inspect every 100 hrs.
More than 950 hrs of operation inspect every 50 hrs.
Repair or replace if defects found.

Usable on Codes

- A: SN 24-103 to 2174, 2176 to 2298
- B: SN 24-2299 and on
- C: SN 24-103 to 3380
- D: SN 24-3381 and on
- E: SN 24-2299 to 2562, 2564 to 2587
- F: Inspect to see which of the 2 dimensions is applicable to your system

- Inspect under the attached carburetor heat support can for blisters and cracks.
 - Inspect the Y-joint at the aft cylinder stack for cracks.
 - Inspect wear areas on the aluminum shroud at shroud ring areas.
 - Inspect tail pipes for internal pitting and wall thickness especially at the outside radius, which is the thin section, and at support bracket.
- ☞ This part has a hot area at the elbow. Inspect this area for black flaking metal and bulges.

Exhaust stacks may break when SL412A and SL 481 are not complied with.

It is recommended that you install heat shields on the engine mount as per SL 431 to improve engine mount service life.